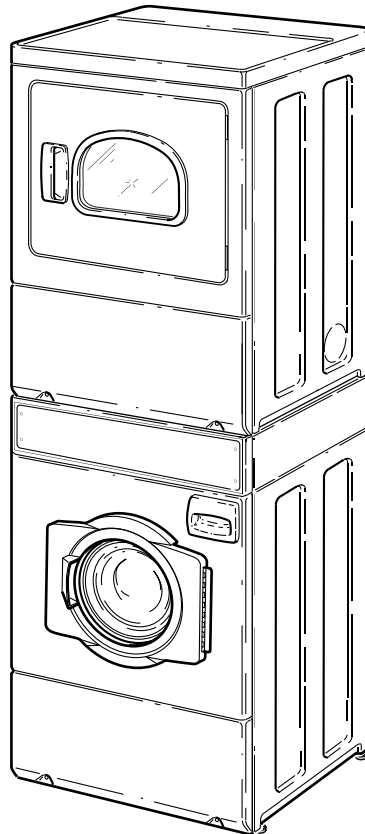


Homestyle Stacked Washer/Dryer

Refer to Page 3 for Model Numbers



SWD443C_801804

Table of Contents

Title	Page
Parts Ordering Information.....	2
Nameplate Location.....	2
Model Identification.....	3
Control Cabinet and Controls.....	4
Control Panel and Controls.....	6
Washer Front Panel, Door Assembly and Door Seal - Models Through Serial No. 0411000565.....	8
Washer Front Panel, Door Assembly and Door Seal - Models Starting Serial No. 0411000566.....	10
Dispenser Assembly.....	12
Mixing Valve, Valve-to-Dispenser Inlet Hose and Fill Hose.....	14
Outer Tub, Front and Clamp Ring.....	16
Inner Basket, Trunnion, Bearing Housing and Pulley.....	18
Washer Motor and Belt.....	20
Drain Hose and Pump.....	22
Washer Base, Panels and Rear Panel.....	24
Junction Box.....	26
Wire Ties and Harness Clips.....	28
Dryer Loading Door with Window.....	30
Dryer Access Panel, Front Panel and Seal.....	32
Dryer Motor, Exhaust Fan and Belt.....	34
Front Bulkhead, Air Duct, Felt Seal and Cylinder.....	36
Rear Bulkhead, Felt Seal, Cylinder Roller and Terminal Block.....	38
Heater Duct and Element Assembly.....	40
Heater Duct Assembly.....	42
Gas Valve, Igniter and Gas Conversion Kits.....	44
Dryer Cabinet, Exhaust Duct and Base.....	46
Power Cord.....	48
Dryer Motor Connection Block, Terminal Extractor Tools.....	50
Shipping Materials.....	52
Special Tools.....	54
Labels.....	56
Wire Harnesses and Wires.....	58
Parts Index.....	61

© Copyright 2011, Alliance Laundry Systems LLC

All rights reserved. No part of the contents of this book may be reproduced or transmitted in any form or by any means without the expressed written consent of the publisher.

Parts Ordering Information

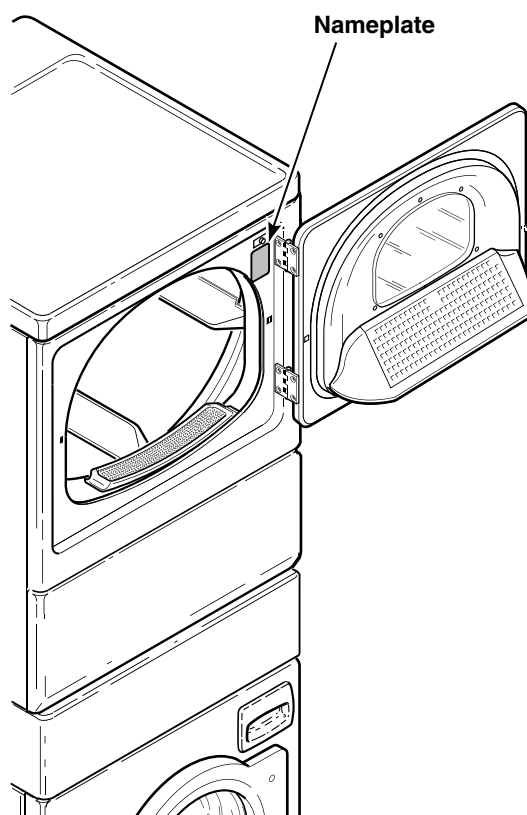
If literature or replacement parts are required, contact the source from whom the machine was purchased or contact Alliance Laundry Systems at (920) 748-3950 for the name and address of the nearest authorized parts distributor.

For technical assistance, call either of the numbers listed below:

(920) 748-3121 Ripon, Wisconsin
+32 56 41 20 54 Wevelgem, Belgium

Nameplate Location

When calling or writing about your product, be sure to mention model and serial numbers. Model and serial numbers are located on nameplate(s) as shown.



SWD1134P_801804

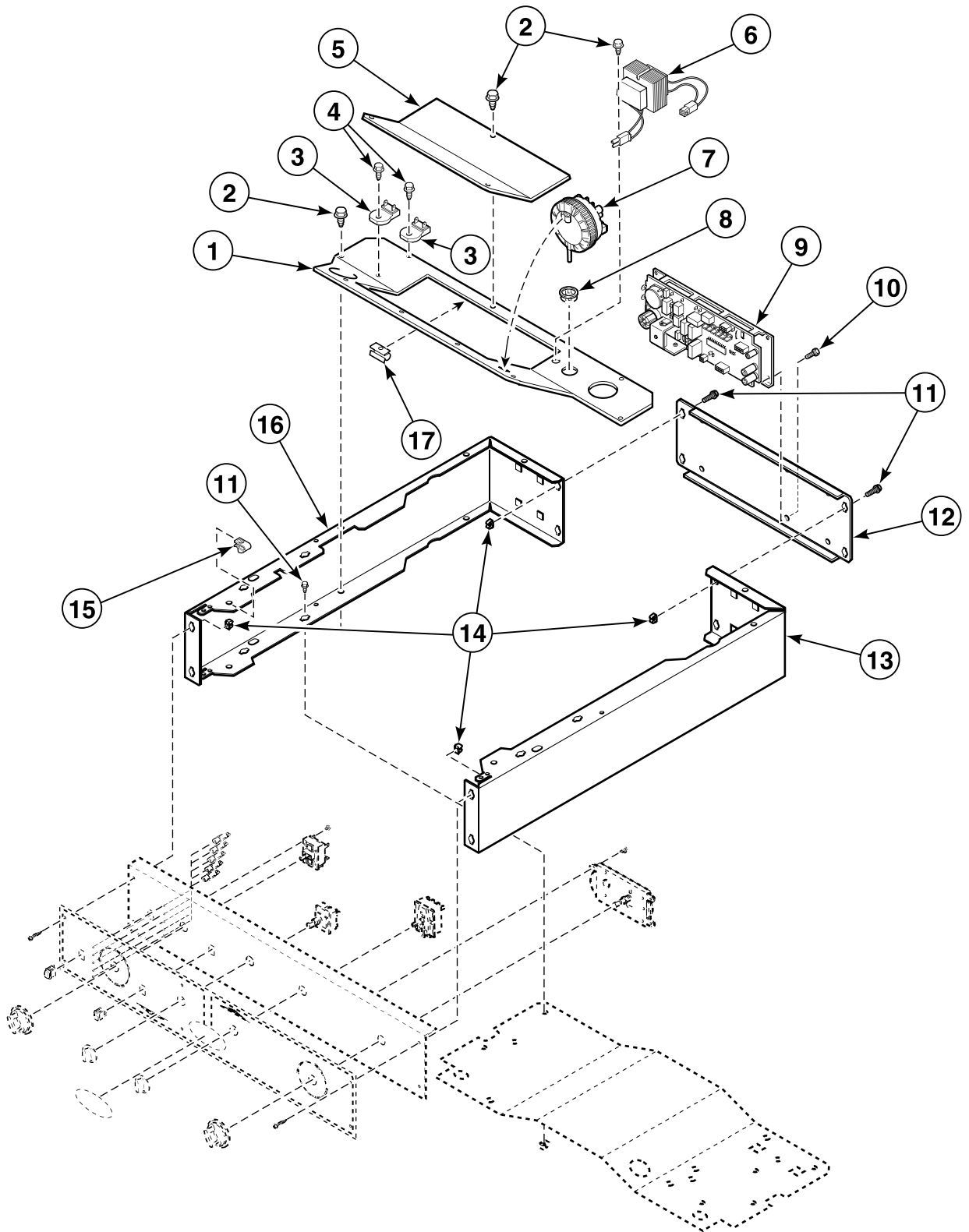
Model Identification

Information in this manual is applicable to these stacked washer/dryer models:

LTK96A*N4350
LTS97A*N3000
LTS97A*N3300
LTS97A*N4350
LTS99A*N3000
LTS99A*N3060
LTS99A*N3080
LTZ97A*N2802
LTZ99A*N0902

* Add Letter To Designate Color. Q - Bisque W - White

Control Cabinet and Controls



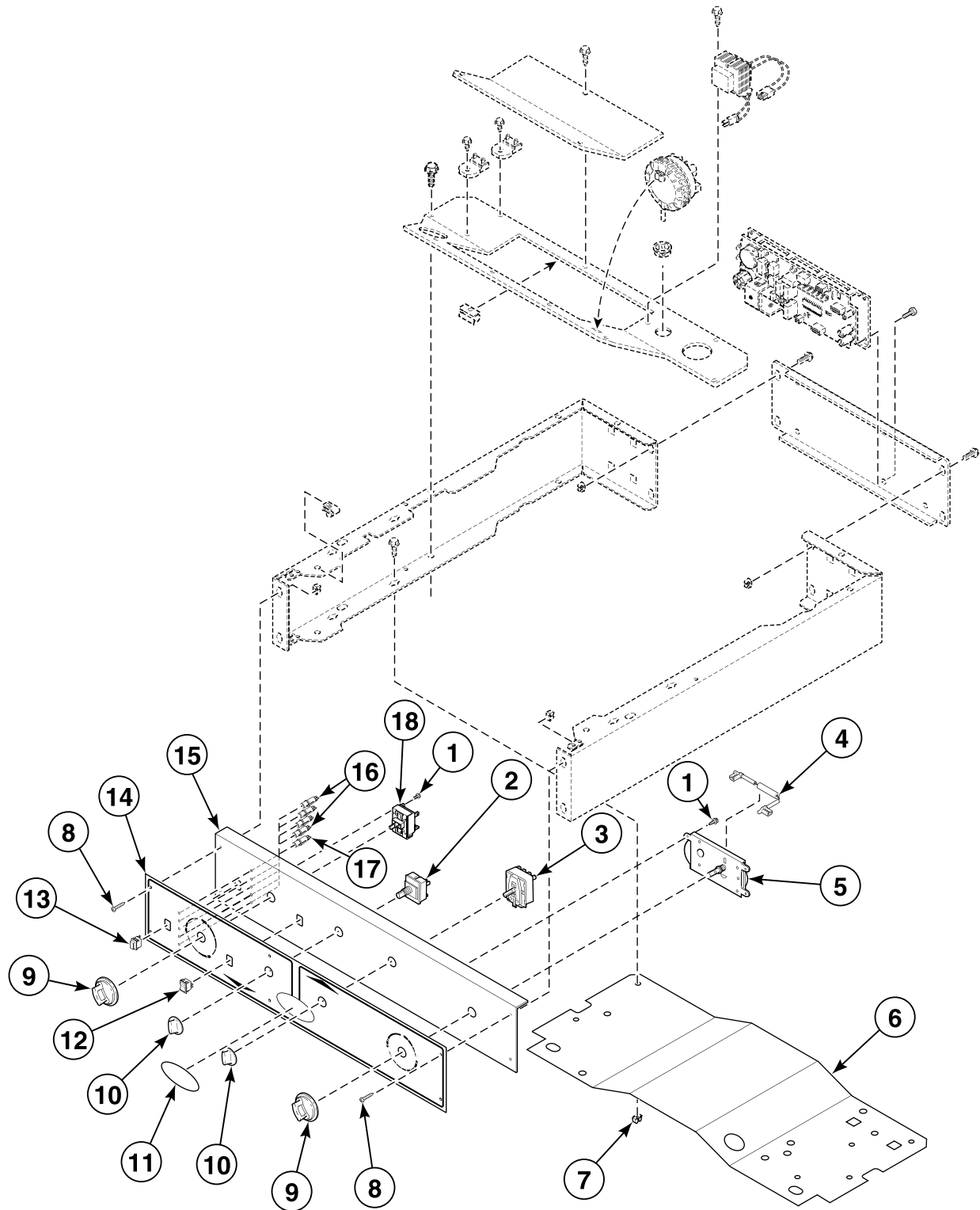
SWD1189P_801804

Control Cabinet and Controls

REF	PART NO.	DESCRIPTION	COMMENTS
1	801372	Control Shield	Uses service door
	801371	Control Shield	No service door
2	503661	Screw	
3	210100	Resistor	Models LTK96A*N4350, LTS97A*N3000, LTS97A*N3300, LTS97A*N4350, LTS99A*N3000, LTS99A*N3060 and LTS99A*N3080
4	503688	Screw	
5	801373	Control Access Door	
6	210018P	Transformer	Models LTZ97A*N2802 and LTZ99A*N0902
	210019P	Transformer	All other models
7	801297P	Pressure Switch	Model LTK96A*N4350
	800468P	Pressure Switch	All other models
8	M402542	Snap Bushing	
9	802523P	Control Assembly	
10	501524	Screw	
11	430497	Screw	
12	801058	Rear Control Cabinet	
13	800915W	Right Control Cabinet Side	White
	800915Q	Right Control Cabinet Side	Bisque
14	70030501	Expansion Clip	
15	800931	Nut	
16	800900WP	Left Control Cabinet Side	White
	800900QP	Left Control Cabinet Side	Bisque
17	36985	Hose Clip	

* Add Letter To Designate Color. Q - Bisque W - White

Control Panel and Controls



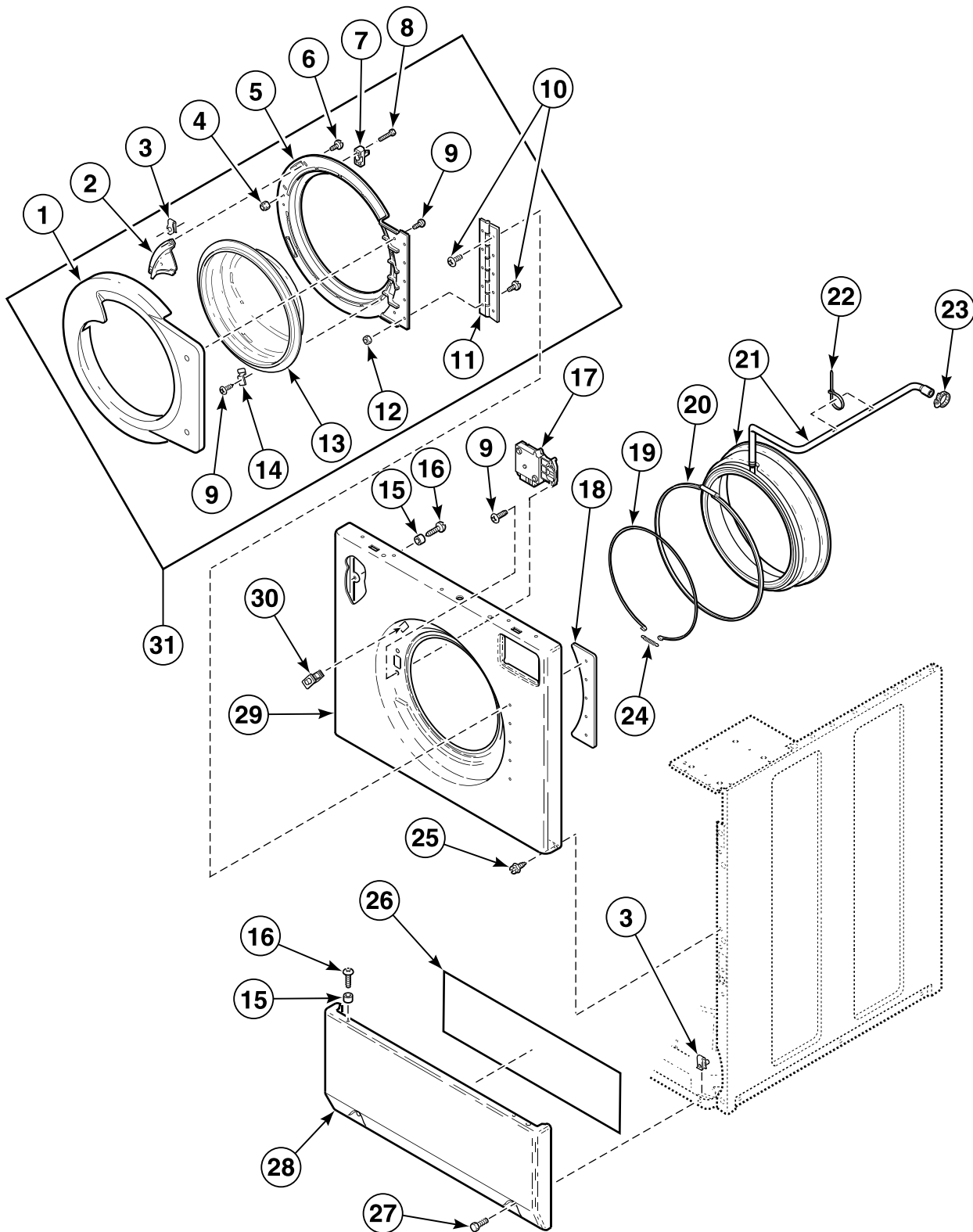
SWD1218P_801804

Control Panel and Controls

REF	PART NO.	DESCRIPTION	COMMENTS
1	501086	Screw	
2	35117	Temperature Switch	Washer; Model LTK96A*N4350
	687542	Temperature Switch	Washer; All other models
3	513505	Fabric Selector Switch	Dryer
4	511277	Resistor Assembly	Model LTZ97A*N2802
5	505797P	Timer and Harness Kit	Model LTZ97A*N2802
	505794P	Timer	Model LTZ99A*N0902
	505795P	Timer	Models LTS97A*N3000, LTS97A*N4350, LTS99A*N3000, LTS99A*N3060 and LTS99A*N3080
	505796P	Timer	Model LTS97A*N3300
	502964P	Timer	Model LTK96A*N4350
6	801777	Control Cabinet Bottom	
7	70030501	Expansion Clip	
8	800930	Screw	
9	512117W	Timer Knob Assembly	White
	512117Q	Timer Knob Assembly	Bisque
10	36701W	Knob Assembly	White
	36701Q	Knob Assembly	Bisque
11	800922	Domed Label	Models LTZ97A*N2802 and LTZ99A*N0902
	800921	Domed Label	Models LTS97A*N3000, LTS97A*N3300, LTS97A*N4350, LTS99A*N3000, LTS99A*N3060 and LTS99A*N3080
12	38424W	Rocker Switch	White; Extra rinse
	38424Q	Rocker Switch	Bisque; Extra rinse
13	801434W	Push-to-Start Switch	White
	801434Q	Push-to-Start Switch	Bisque
14	802099	Graphic Overlay	Model LTK96A*N4350
	801142	Graphic Overlay	All other models
15	802101W	Control Panel Assembly	
16	801431	Light	Green
17	801432	Light	Red; Model LTK96A*N4350
18	801240	Cycle Switch	Washer

* Add Letter To Designate Color. Q - Bisque W - White

Washer Front Panel, Door Assembly and Door Seal - Models Through Serial No. 0411000565



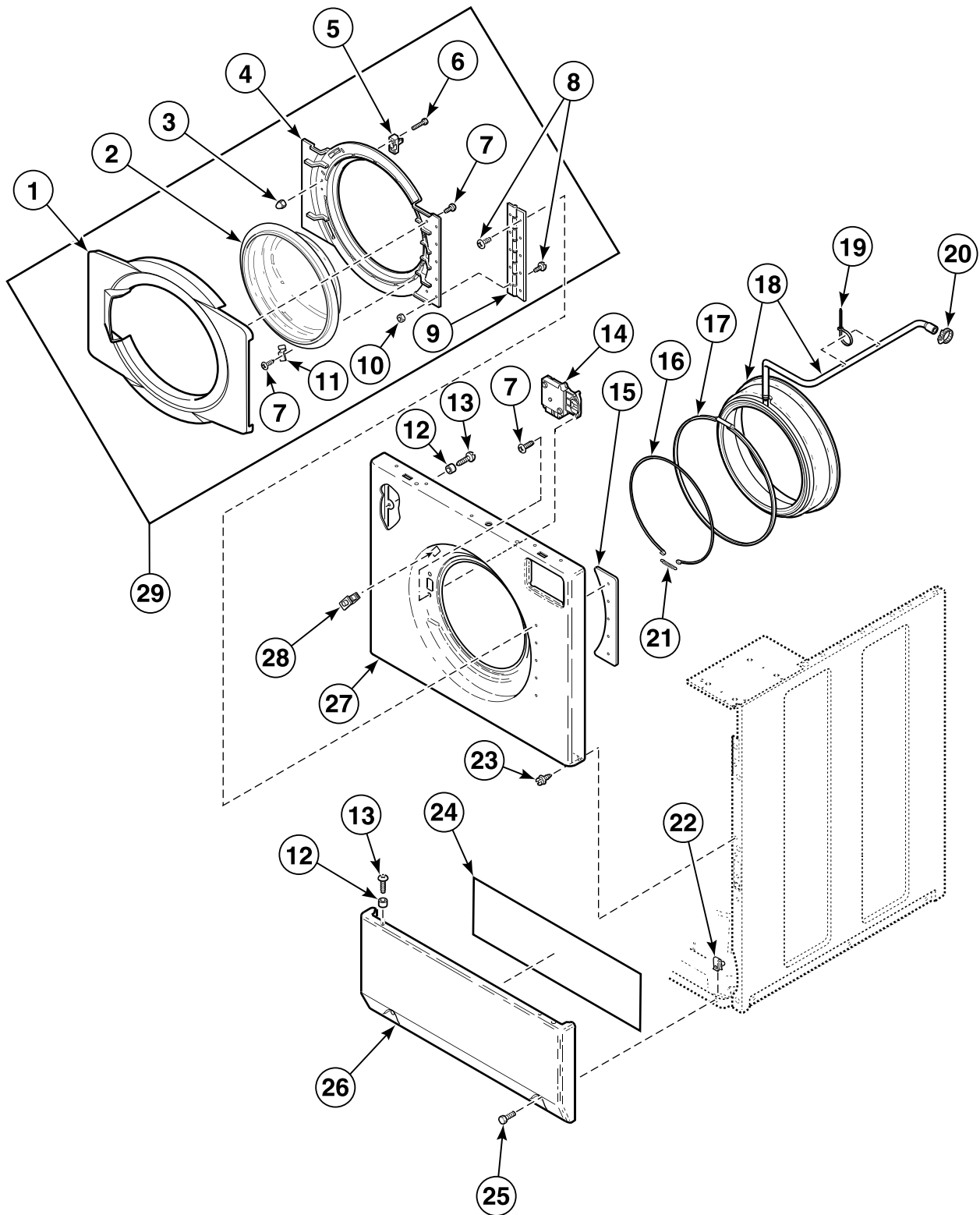
FLW834P_801804

Washer Front Panel, Door Assembly and Door Seal - Models Through Serial No. 0411000565

REF	PART NO.	DESCRIPTION	COMMENTS
1	800341W	Door Bezel	White
	800341Q	Door Bezel	Bisque
2	800342	Door Handle	
3	36020	Nut	
4	685846	Nut	
5	800340	Inner Door Bezel	
6	800528	Screw	
7	685430	Locking Catch	
8	801993	Screw	
9	800548	Screw	
10	801019	Screw	
11	802934	Door Hinge	
12	23951	Nut	
13	800343P	Door Glass	
14	800906	Hold-Down Clip	
15	56079	Panel Locator	
16	39733	Screw	
17	685429	Door Latch/Switch Assembly	
18	802412	Hinge Plate	
19	800438	Wire Clamp Ring	
20	685743P	Door Seal Clamp	Seal to outer tub front
21	800232	Door Seal and Hose Assembly	Black
	801784	Door Seal and Hose Assembly	Gray; Models LTK96A*N4350, LTS97A*N3000, LTS97A*N3300, LTS97A*N4350, LTS99A*N3000 and LTS99A*N3080
22	55881	Harness Strap	
23	802164	Hose Clamp	
24	800346	Extension Spring	
25	503661	Screw	
26	685368	Access Panel Damper	1 inch by 26 inches
27	801045	Screw	
28	510069WP	Access Panel	White
	510069QP	Access Panel	Bisque
29	800336WP	Front Panel	White
	800336QP	Front Panel	Bisque
30	800211	Door Switch	
31	800436WP	Door Assembly	White; Includes items 1-14
	800436QP	Door Assembly	Bisque; Includes items 1-14

* Add Letter To Designate Color. Q - Bisque W - White

Washer Front Panel, Door Assembly and Door Seal - Models Starting Serial No. 0411000566



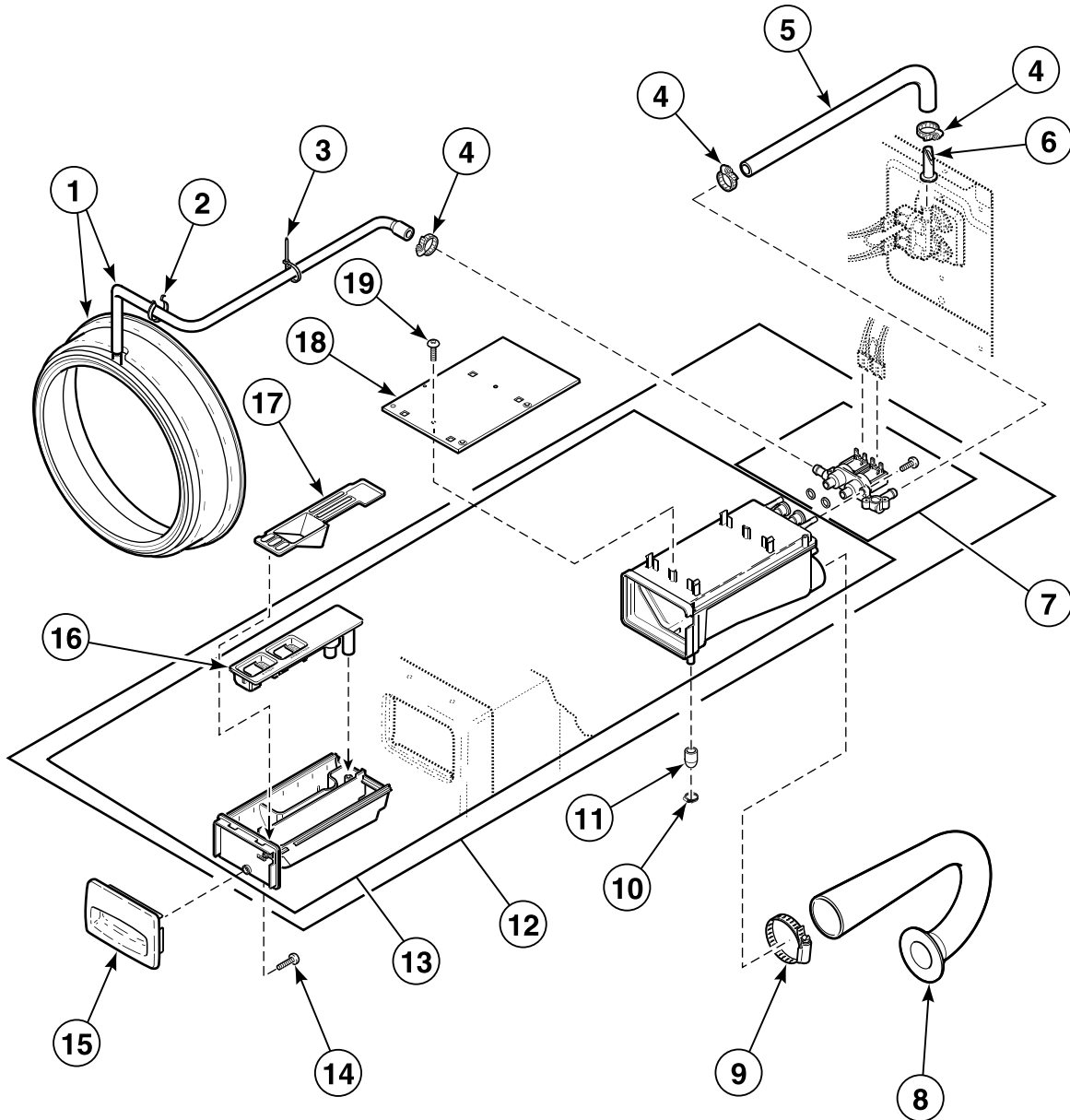
SWD1154P_801804

Washer Front Panel, Door Assembly and Door Seal - Models Starting Serial No. 0411000566

REF	PART NO.	DESCRIPTION	COMMENTS
1	801904W	Outer Door Bezel	White
	801904Q	Outer Door Bezel	Bisque
2	800343P	Door Glass	
3	801994	Nut	
4	801903	Inner Door Bezel	
5	685430	Locking Catch	
6	801993	Screw	
7	800548	Screw	
8	801019	Screw	
9	802934	Door Hinge	
10	23951	Nut	
11	800906	Hold-Down Clip	
12	56079	Panel Locator	
13	39733	Screw	
14	685429	Door Latch/Switch Assembly	
15	802412	Hinge Plate	
16	800438	Wire Clamp Ring	
17	685743P	Door Seal Clamp	Seal to outer tub front
18	800232	Door Seal and Hose Assembly	Black
	801784	Door Seal and Hose Assembly	Gray; Models LTK96A*N4350, LTS97A*N3000, LTS97A*N3300, LTS97A*N4350, LTS99A*N3000, LTS99A*N3060 and LTS99A*N3080
19	55881	Harness Strap	
20	802164	Hose Clamp	
21	800346	Extension Spring	
22	36020	Nut	
23	503661	Screw	
24	685368	Access Panel Damper	
25	801045	Screw	
26	510069WP	Access Panel	White
	510069QP	Access Panel	Bisque
27	800336WP	Front Panel	White
	800336QP	Front Panel	Bisque
28	801821	Door Switch Assembly	Model LTS99A*N3060
	800211	Door Switch	All other models
29	801928WP	Door Assembly	White; Includes items 1-11
	801928QP	Door Assembly	Bisque; Includes items 1-11

* Add Letter To Designate Color. Q - Bisque W - White

Dispenser Assembly



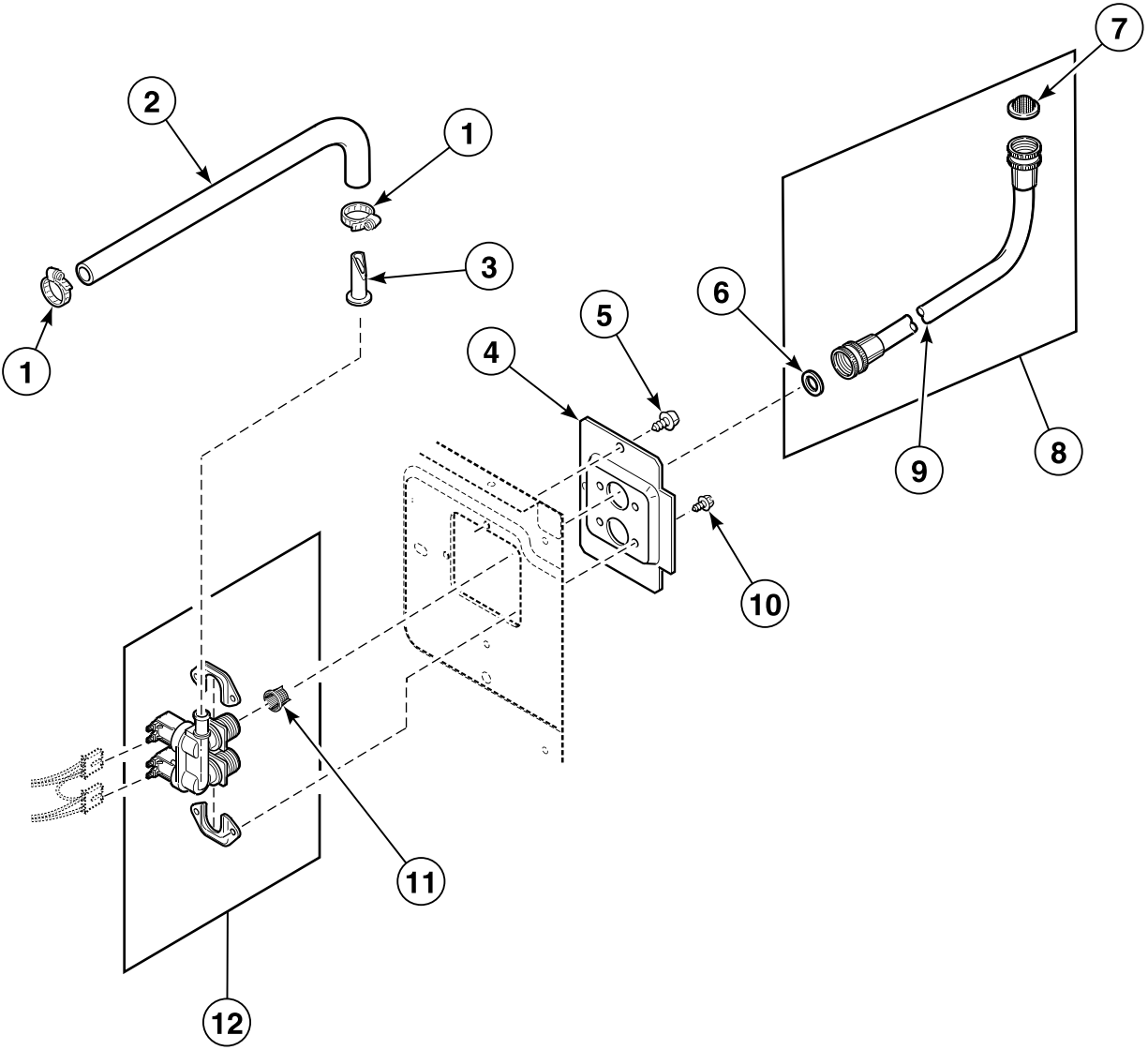
FLW820P_801804

Dispenser Assembly

REF	PART NO.	DESCRIPTION	COMMENTS
1	800232	Door Seal and Hose Assembly	Black
	801784	Door Seal and Hose Assembly	Gray; Models LTK96A*N4350, LTS97A*N3000, LTS97A*N3300, LTS97A*N4350, LTS99A*N3000, LTS99A*N3060 and LTS99A*N3080
2	687500	Wire Clip	
3	55881	Harness Strap	
4	802164	Hose Clamp	
5	801464	Valve-to-Dispenser Inlet Hose	
6	34500	Backflow Preventer	
7	685766P	Valve Kit	Models LTZ97A*N2802 and LTZ99A*N0902
	801836P	Valve Kit	All other models
8	800331	Dispenser-to-Tub Hose	
9	685725	Hose Clamp	
10	F200206	Hose Clamp	
11	801746	Cap	
12	685756P	Dispenser	Models LTZ97A*N2802 and LTZ99A*N0902
	801090P	Dispenser	All other models
13	801476P	Dispenser Assembly	
14	800548	Screw	
15	685715WP	Dispenser Drawer Front	White
	685715Q	Dispenser Drawer Front	Bisque
16	685716	Insert	
17	800899	Detergent Cover	
18	801024	Dispenser Plate	
19	801001	Screw	

* Add Letter To Designate Color. Q - Bisque W - White

Mixing Valve, Valve-to-Dispenser Inlet Hose and Fill Hose



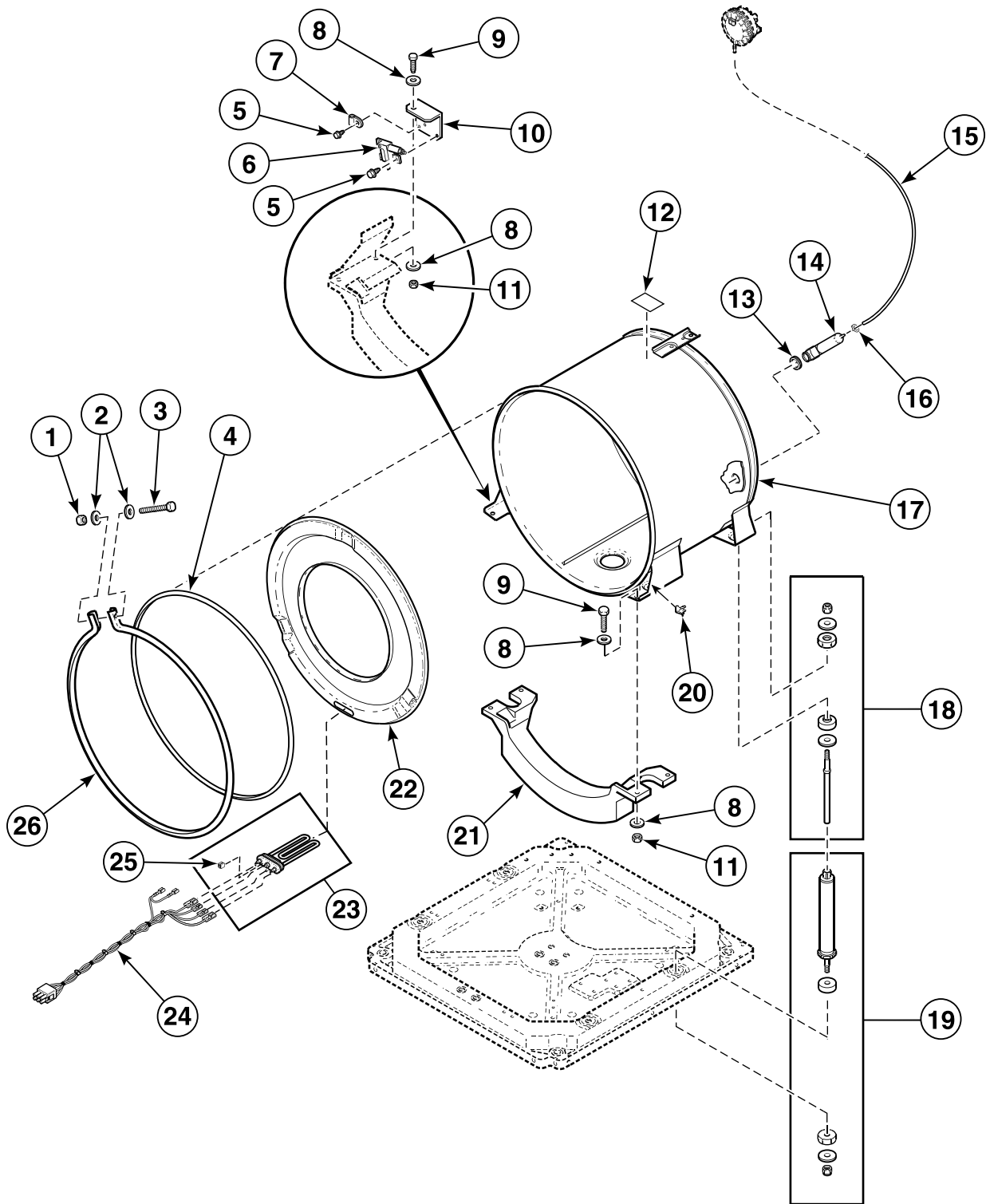
FLW881P_801804

Mixing Valve, Valve-to-Dispenser Inlet Hose and Fill Hose

REF	PART NO.	DESCRIPTION	COMMENTS
1	802164	Hose Clamp	
2	801464	Valve-to-Dispenser Inlet Hose	
3	34500	Backflow Preventer	
4	800323	Mixing Valve Plate	
5	503661	Screw	
6	20290	Washer	
7	803615	Washer	Filter screen
	802254	Washer	Flow restrictor; Water pressure reducer; Available for water pressure up to but not exceeding 120 psi
8	F200116	Water Hose	5 feet; Hose is equipped with 2 standard hose couplings; Includes items 6 and 7
	38349P	Fill Hose Kit	5 feet; Hose is equipped with 1 metric and 1 standard hose coupling; Includes 2 of item 6
9	20617	Fill Hose	8 feet; Hose is equipped with 2 standard hose couplings
	20618	Fill Hose	10 feet; Hose is equipped with 2 standard hose couplings
	37380	Fill Hose	8 feet; Hose is equipped with 1 metric and 1 standard hose coupling
	37381	Fill Hose	10 feet; Hose is equipped with 1 metric and 1 standard hose coupling
10	501086	Screw	
11	802926	Mixing Valve Screen	
12	802220P	Mixing Valve	Models LTZ97A*N2802 and LTZ99A*N0902
	802222P	Mixing Valve	All other models

* Add Letter To Designate Color. Q - Bisque W - White

Outer Tub, Front and Clamp Ring



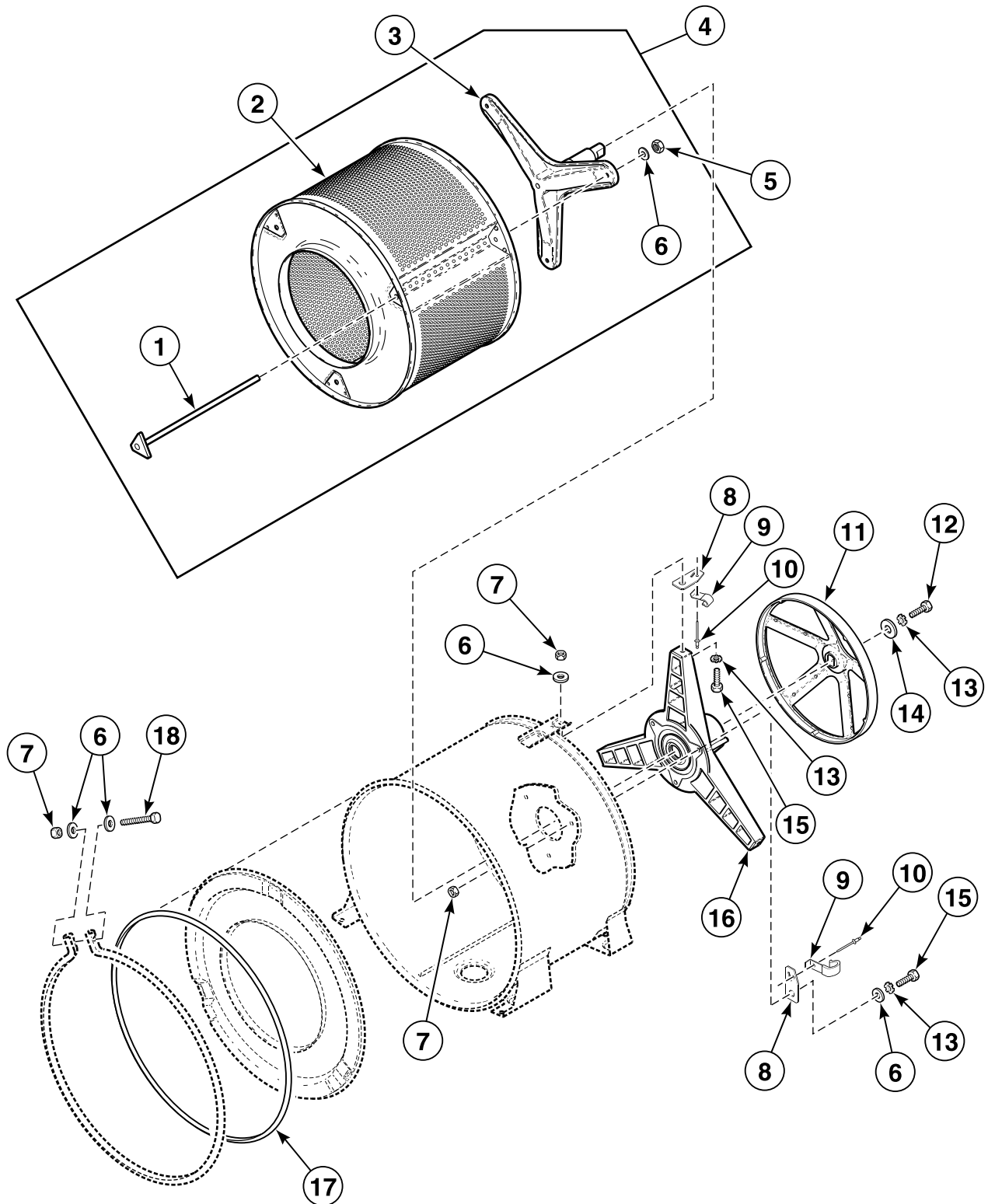
SWD1261P_801804

Outer Tub, Front and Clamp Ring

REF	PART NO.	DESCRIPTION	COMMENTS
1	F430218	Nut	
2	800457	Washer	
3	800462	Screw	
4	800432P	Tub Front Seal	
5	503661	Screw	
6	801006	Out-of-Balance Switch Assembly	
7	800811	Wire Clamp	
8	M400081	Washer	
9	800461	Screw	
10	800663	Switch Mounting Bracket	
11	800452	Nut	
12	500314	Warning Label	Models LTZ97A*N2802 and LTZ99A*N0902
	502511	Electrical Shock Label	All other models
	502506	Pinched Fingers Label	All other models
13	29175	Grommet	
14	30907	Pressure Bulb	
15	800648P	Tubing	
16	39282	Hose Clamp	
17	801291	Outer Tub Assembly	Model LTK96A*N4350
	801081P	Outer Tub Assembly	All other models
18	800622P	Tub Shock Absorber Kit	Upper
19	800623P	Base Shock Absorber Kit	Lower
20	00161	Grounding Clip	
21	800205	Ballast Weight	
22	801363	Tub Front Assembly	Model LTK96A*N4350
	800430	Tub Front Assembly	All other models
23	803557P	Heating Element Kit	Model LTK96A*N4350; Includes item 25
24	801350	Heater Harness Assembly	Model LTK96A*N4350
25	803256	Thermistor	Model LTK96A*N4350
26	800312	Clamp Ring	

* Add Letter To Designate Color. Q - Bisque W - White

Inner Basket, Trunnion, Bearing Housing and Pulley

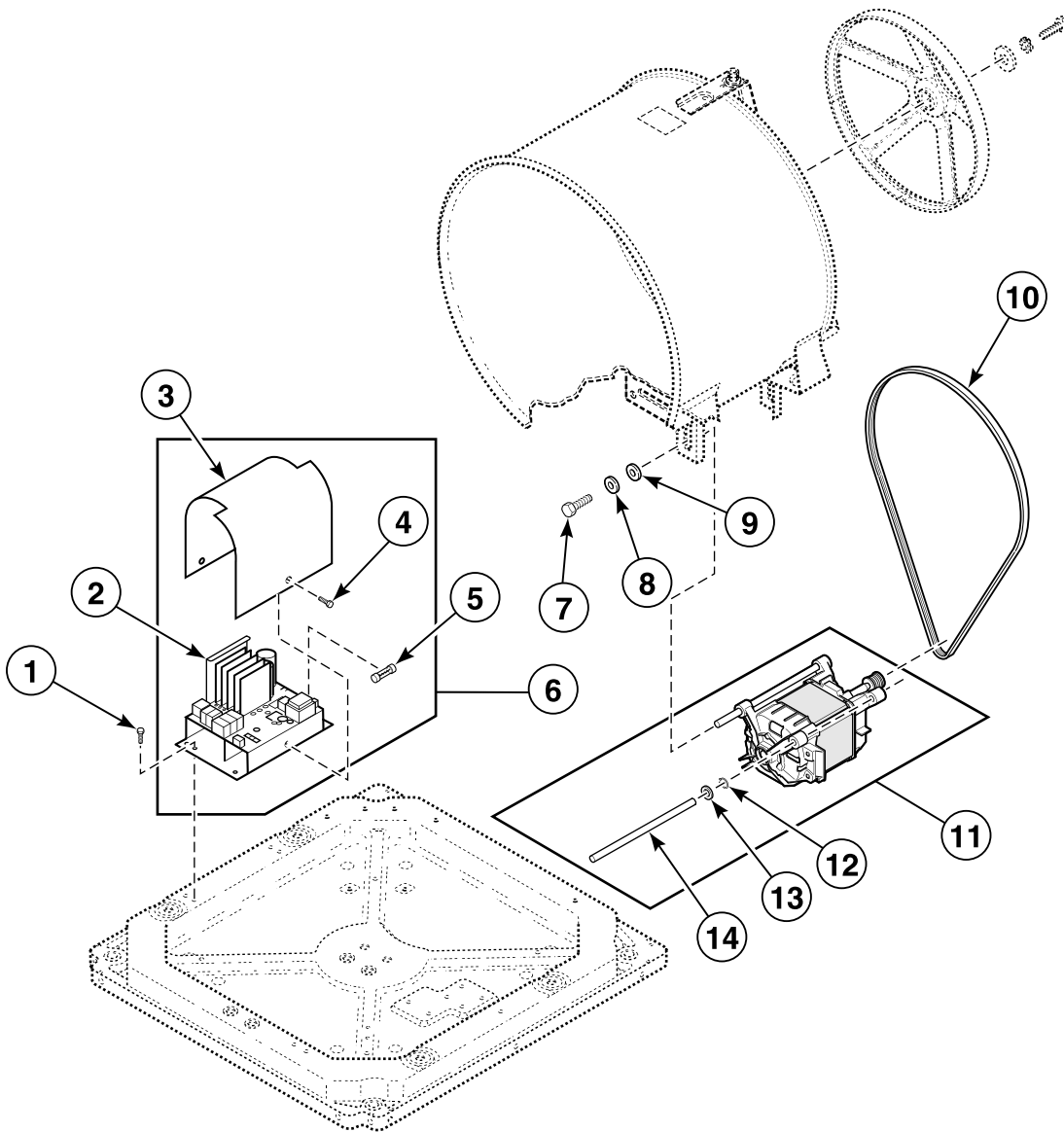


FLW865P_801804

Inner Basket, Trunnion, Bearing Housing and Pulley

REF	PART NO.	DESCRIPTION	COMMENTS
	27604P	Anti-Seize Compound	Pulley to inner basket shaft
	838P3	Hardware Kit	Includes (8) of item 6, (7) each of items 7 and 13, (6) of item 10, (1) each of items 12, 14, 17, 18 and 27604P Anti-Seize Compound
	RB160001	Bearing Kit	
1	800666	Tension Rod Assembly	
2	803007P	Inner Basket Assembly	Includes (3) each of items 1, 5, 6, and 838P3 Hardware Kit
3	800749P	Trunnion Shaft and Hardware Kit	Includes (3) each of items 1, 5, 6, and 838P3 Hardware Kit
4	800429P	Inner Basket Assembly	Includes items 2, 3, (3) each of items 1, 5, 6, and 838P3 Hardware Kit
5	685844	Nut	
6	800457	Washer	
7	F430218	Nut	
8	800552	Hose Mounting Plate	
9	800553	Hose Clip	
10	685847	Pop Rivet	
11	800866	Driven Pulley	
12	685831	Screw	Left hand thread
13	M403958	Washer	
14	800464	Washer	
15	M400043	Screw	
16	800428P	Bearing Housing Kit	Includes 838P3 Hardware Kit
17	800432P	Tub Front Seal	
18	800462	Screw	

Washer Motor and Belt



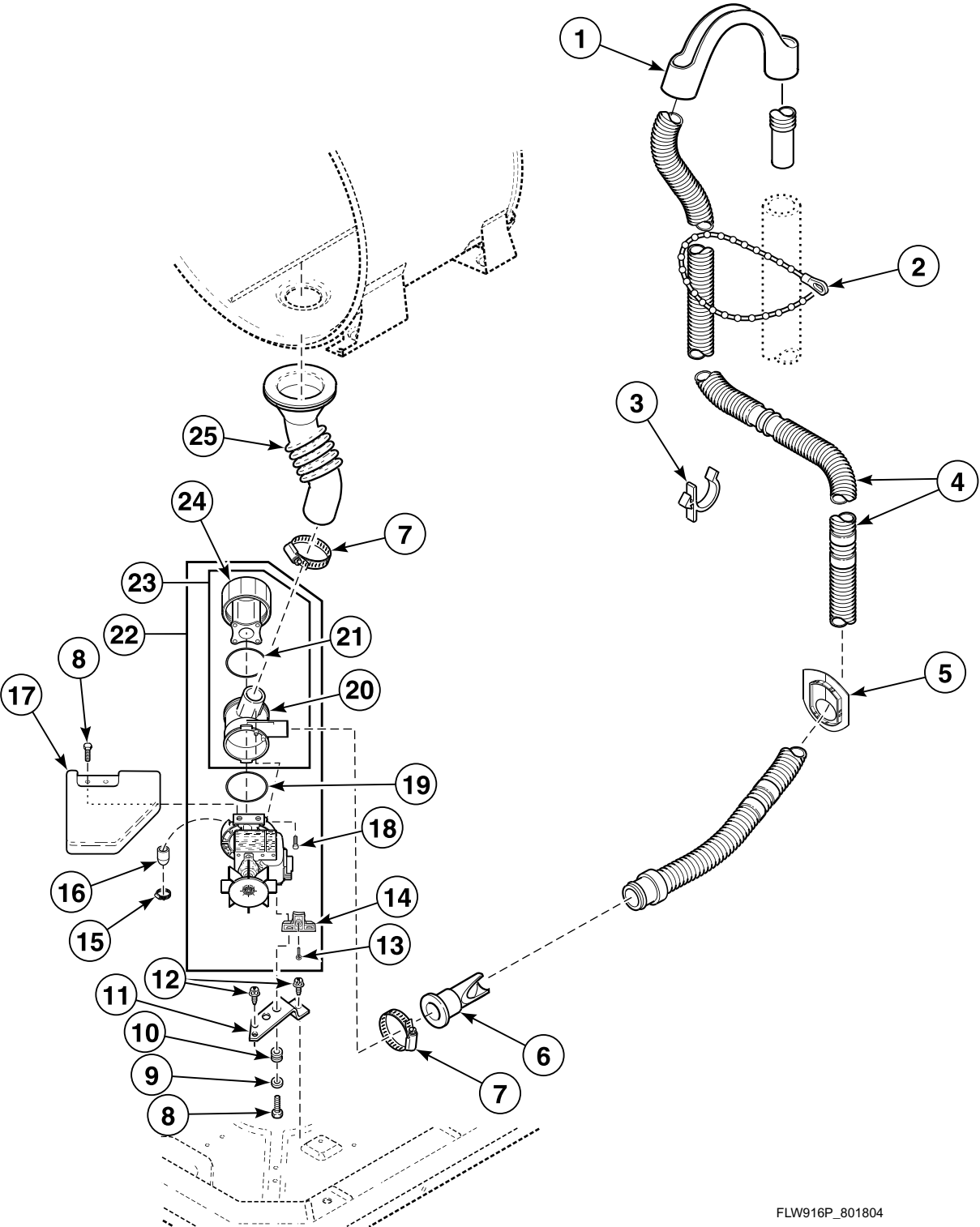
FLW967P_801804

Washer Motor and Belt

REF	PART NO.	DESCRIPTION	COMMENTS
1	503661	Screw	
2	803254P	Inverter Control Assembly	120 Volt; Models LTZ97A*N2802 and LTZ99A*N0902
	803255P	Inverter Control Assembly	240 Volt; All other models
3	801061	Control Shield	
4	501524	Screw	
5	801755	Fuse	10 Amp; Slow blow
6	801526P	Inverter Assembly Kit	120 Volt; Includes items 2-5, 801063 Motor Harness Assembly and wire ties; Models LTZ97A*N2802 and LTZ99A*N0902
	801527P	Inverter Assembly Kit	240 Volt; Includes items 2-5, 801063 Motor Harness Assembly and wire ties; All other models
7	M400057	Screw	
8	02834	Washer	
9	M400080	Washer	
10	800319P	Drive Belt	
11	801684P	Motor and Rod Assembly Kit	Includes 2 each of items 12-14 and wire ties
12	23748	Retaining Ring	
13	52549	Washer	
14	801062	Motor Mount Rod	

* Add Letter To Designate Color. Q - Bisque W - White

Drain Hose and Pump



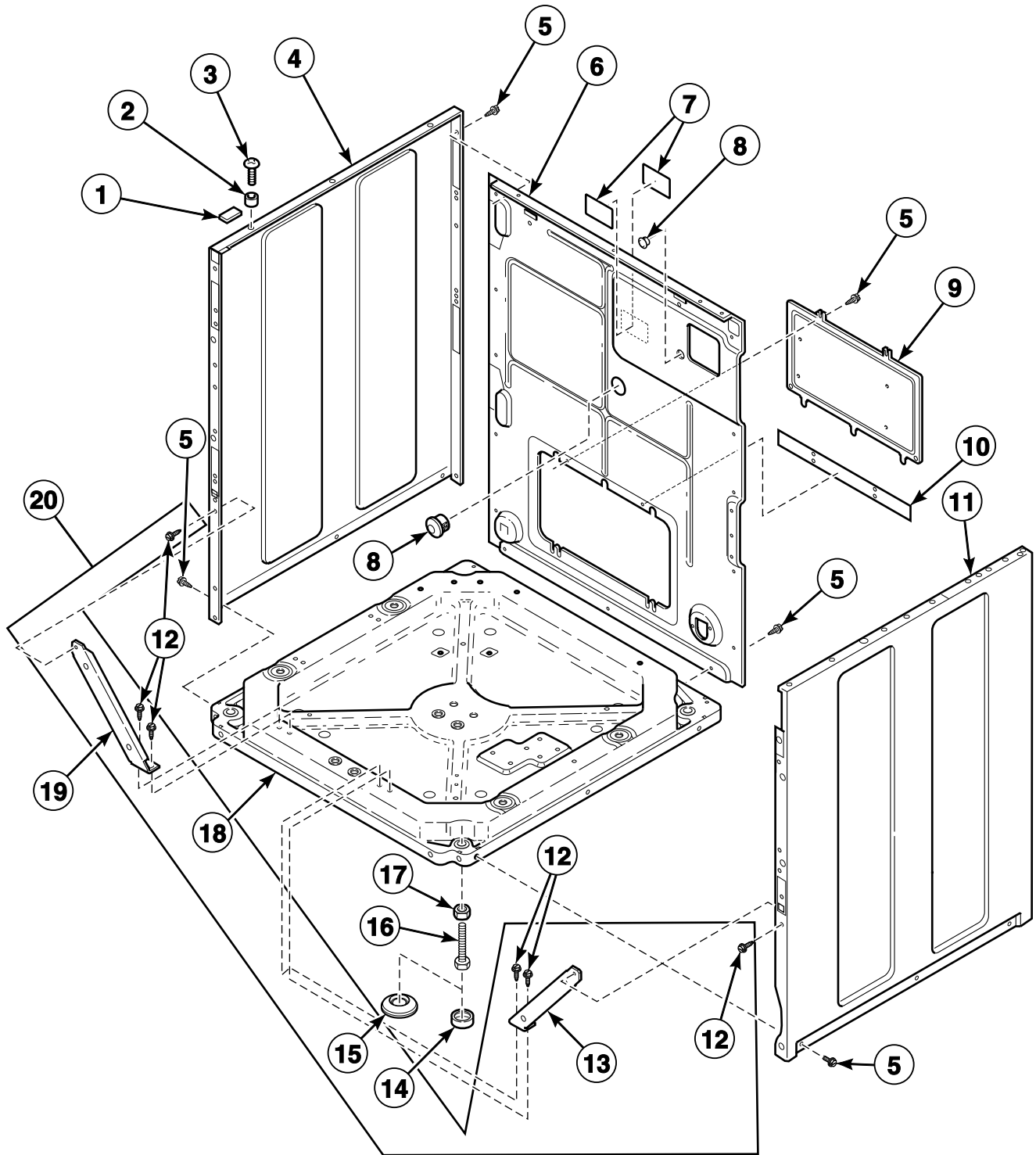
FLW916P_801804

Drain Hose and Pump

REF	PART NO.	DESCRIPTION	COMMENTS
1	33615	Drain Hose Sleeve	
2	33489	Standpipe Strap	
3	36014	Retainer Clip	
4	685730	Drain Hose	
5	32219	Strain Relief	
6	800310	Backflow Preventer	
7	36802	Hose Clamp	
8	38096	Screw	Metric; Use with 685703, 801267 or 801380 Drain Pump
	501285	Screw	Use with 801015, 801080, 802221, 802623, 802624 or 802625 Drain Pump
9	800465	Washer	
10	802218	Grommet	
11	802219	Pump Bracket	
12	503661	Screw	
13	802430	Screw	Use with 801015, 801080, 802221, 802623, 802624 or 802625 Drain Pump
14	802432	Pump Mount	Use with 801015, 801080, 802221, 802623, 802624 or 802625 Drain Pump
15	F200206	Hose Clamp	Use with 685703, 801267 or 801380 Drain Pump
16	801112	Nozzle Cap	Use with 685703, 801267 or 801380 Drain Pump
17	38067	Pump Shield	Use with 685703, 801267 or 801380 Drain Pump
18	802431	Screw	Use with 801015, 801080, 802221, 802623, 802624 or 802625 Drain Pump
19	802487	O-Ring	Use with 685703, 801267 or 801380 Drain Pump
	802429	O-Ring	Use with 801015, 801080, 802221, 802623, 802624 or 802625 Drain Pump
20	801208	Pump Housing	Use with 685703, 801267 or 801380 Drain Pump
	802428	Pump Housing	Use with 801015, 801080, 802221, 802623, 802624 or 802625 Drain Pump
21	801207	O-Ring	Use with 685703, 801267 or 801380 Drain Pump
	802427	Gasket	Use with 801015, 801080, 802221, 802623, 802624 or 802625 Drain Pump
22	802625P	Drain Pump	Model LTS97A*N3300
	802623P	Drain Pump	Models LTZ97A*N2802 and LTZ99A*N0902
	802624P	Drain Pump	All other models
23	801209	Pump Housing Assembly	Includes items 20, 21 and 24; Use with 685703, 801267 or 801380 Drain Pump
	802434P	Pump Housing Assembly	Includes items 20, 21 and 24; Use with 801015, 801080, 802221, 802623, 802624 or 802625 Drain Pump
24	801206P	Lid Assembly	Includes filter; Use with 685703, 801267 or 801380 Drain Pump
	802426P	Lid Assembly	Includes filter; Use with 801015, 801080, 802221, 802623, 802624 or 802625 Drain Pump
25	800317	Tub-to-Pump Hose	
	27615P	Sealant	Tub-to-pump hose to outer tub

* Add Letter To Designate Color. Q - Bisque W - White

Washer Base, Panels and Rear Panel



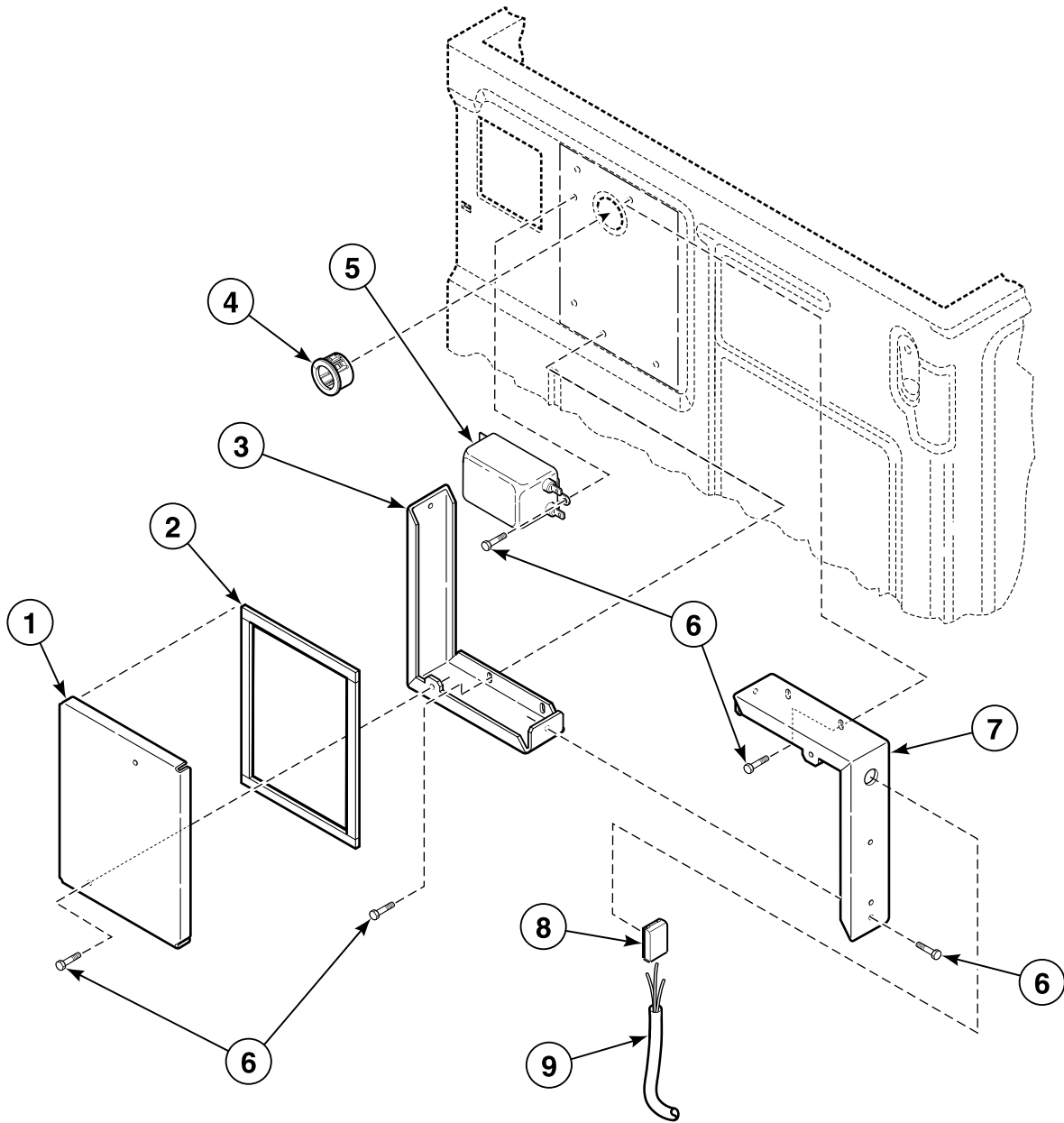
SWD1207P_801804

Washer Base, Panels and Rear Panel

REF	PART NO.	DESCRIPTION	COMMENTS
1	56128	Bumper Pad	
2	56079	Panel Locator	
3	39733	Screw	
4	800004WP	Cabinet Panel Kit	White; Left; Includes corner gusset with hardware
	800004QP	Cabinet Panel Kit	Bisque; Left; Includes corner gusset with hardware
5	503661	Screw	
6	800010P	Rear Panel	
7	685928	Screw Label	Left hand thread
8	M412154	Hole Plug	
9	800011	Rear Access Panel	
10	801702	Motor Access Hole Edging	
11	800005WP	Side Panel Kit	White; Right; Includes 801024 Dispenser Plate with hardware
	800005QP	Side Panel Kit	Bisque; Right; Includes 801024 Dispenser Plate with hardware
12	31645	Screw	
13	801492	Cabinet Brace	Right
14	34318	Rubber Foot	
15	802844P	Anchor Floor Mount Assembly	Includes 2 rubber discs with adhesive backing
16	34319	Leveling Leg	
17	21899	Nut	
18	802245	Base Assembly	
19	801491	Cabinet Brace	Left
20	918P3	Brace Kit	Includes items 12, 13 and 19

Junction Box

All Models Except LTZ97A*N2802 and LTZ99A*N0902



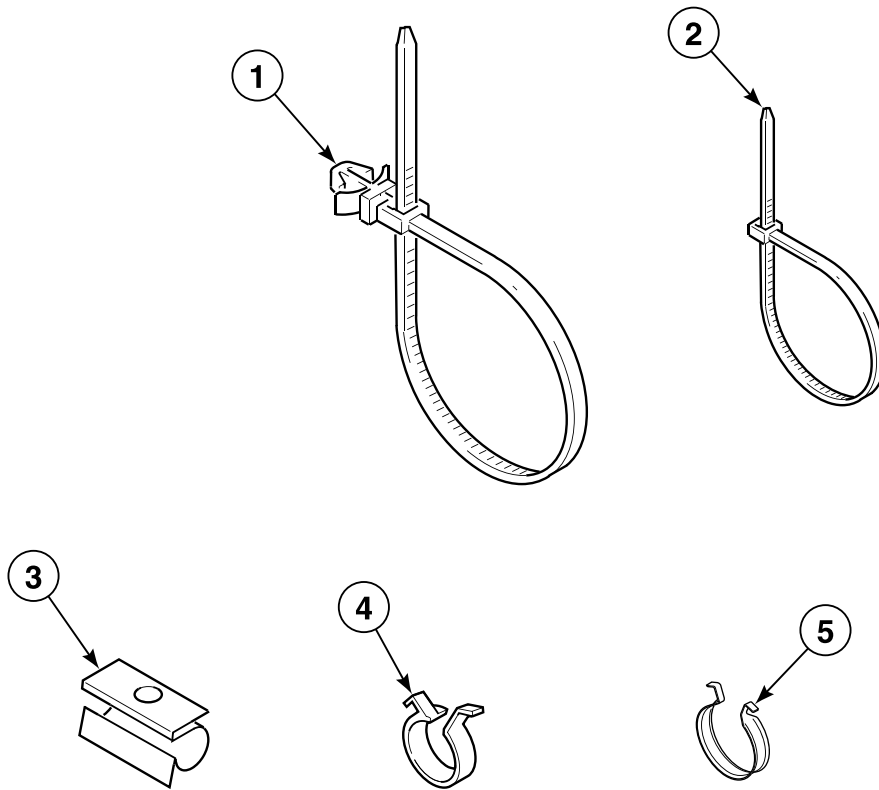
FLW850P_801804

Junction Box

REF	PART NO.	DESCRIPTION	COMMENTS
1	801404	Junction Box Cover	
2	801425P	Junction Box Seal	4 required
3	801433	Lower Junction Box	
4	M402542	Snap Bushing	
5	201058	Line Filter	
6	503661	Screw	
7	801403	Junction Box	
8	39922	Cable Connection Box	
9	39931	Power Cord Assembly	Models LTS97A*N4350 and LTS99A*N3060; Includes plug
	201574	Lead-In Cord	Model LTK96A*N4350
	801450	Power Cord Assembly	All other models

* Add Letter To Designate Color. **Q** - Bisque **W** - White

Wire Ties and Harness Clips

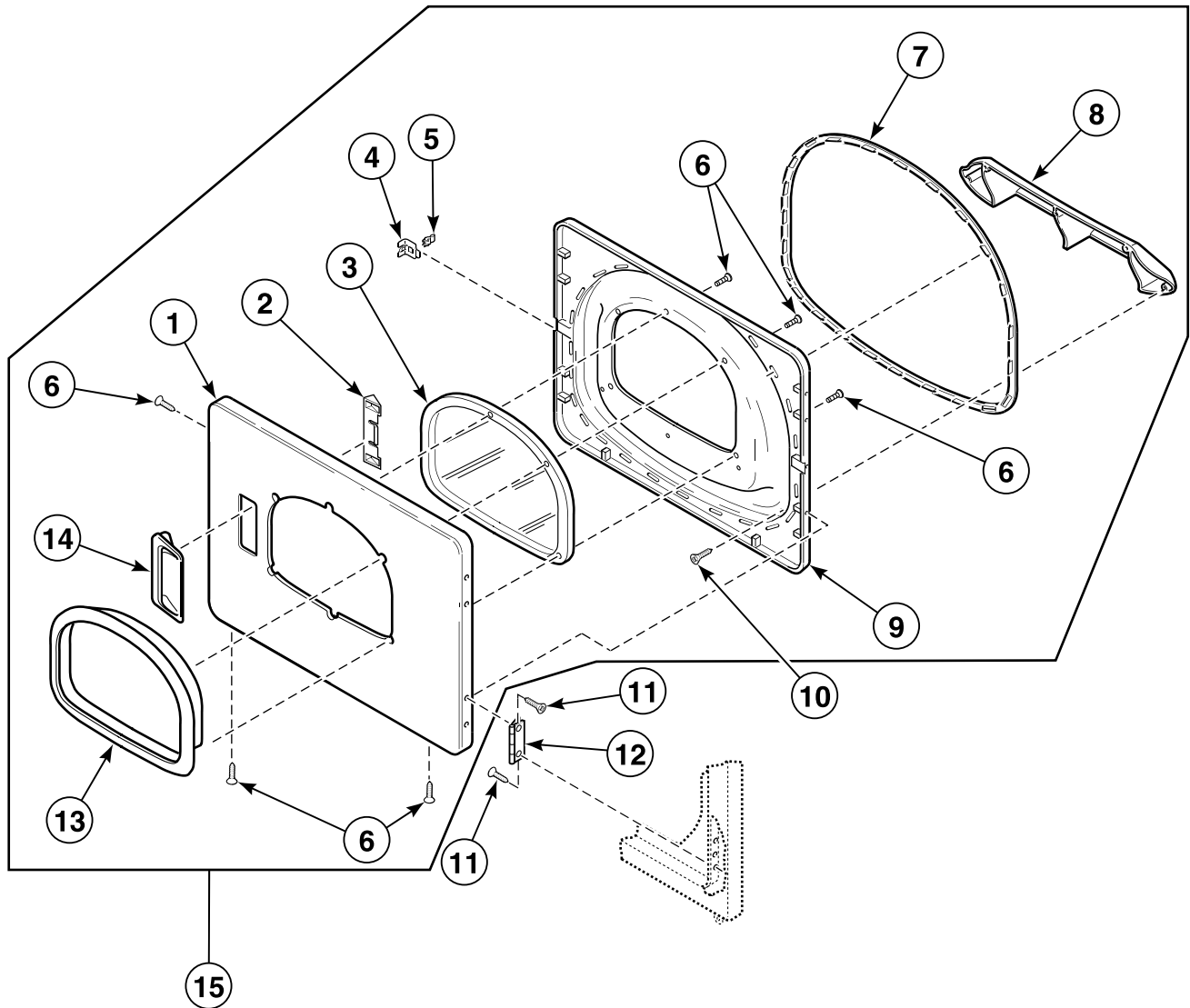


SWD1145P_801804

Wire Ties and Harness Clips

REF	PART NO.	DESCRIPTION	COMMENTS
1	38663	Wire Tie	
2	55881	Harness Strap	
3	36985	Hose Clip	
4	504034	Wire Clip	Small
5	687500	Wire Clip	Large

Dryer Loading Door with Window

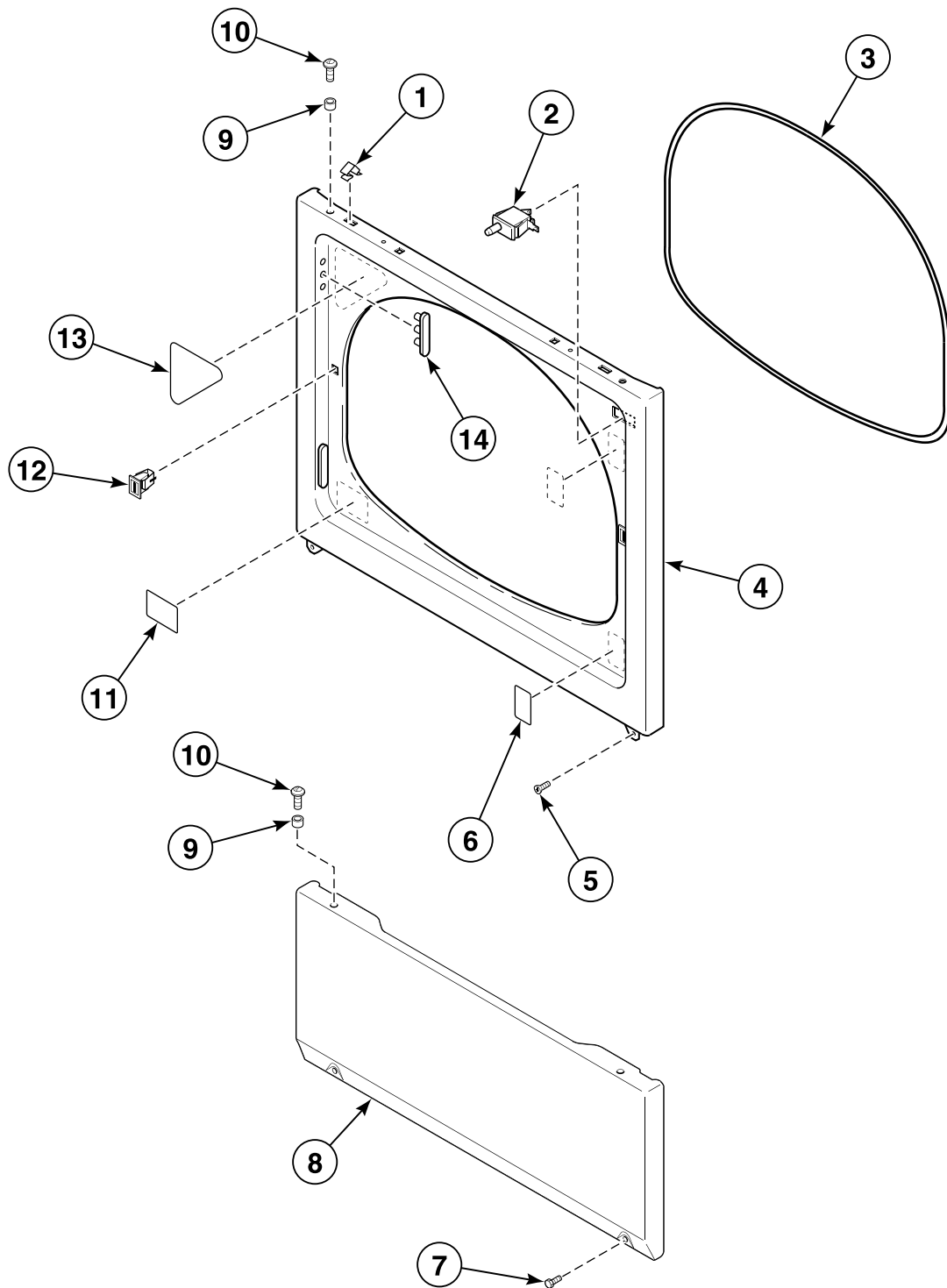


D427P_801804

Dryer Loading Door with Window

REF	PART NO.	DESCRIPTION	COMMENTS
1	510082WP	Dryer Door	White
	510082QP	Dryer Door	Bisque
2	510129	Door Handle Wedge	
3	503982	Dryer Door Window	
4	510127	Door Strike Mount	
5	510181	Door Strike	
6	500226	Screw	
7	510147P	Liner Door Seal	
8	503870W	Door Liner Grill	
9	510098W	Liner and Seal Assembly	Includes item 7
10	505870	Screw	
11	505295	Screw	
12	511036	Hinge	
13	503981W	Window Trim	White
	503981Q	Window Trim	Bisque
14	510103WP	Door Pull and Wedge Kit	White; Includes item 2
	510103QP	Door Pull and Wedge Kit	Bisque; Includes item 2
15	511636WP	Door and Liner Assembly	White; Includes items 1-10, 13 and 14
	511636QP	Door and Liner Assembly	Bisque; Includes items 1-10, 13 and 14

Dryer Access Panel, Front Panel and Seal



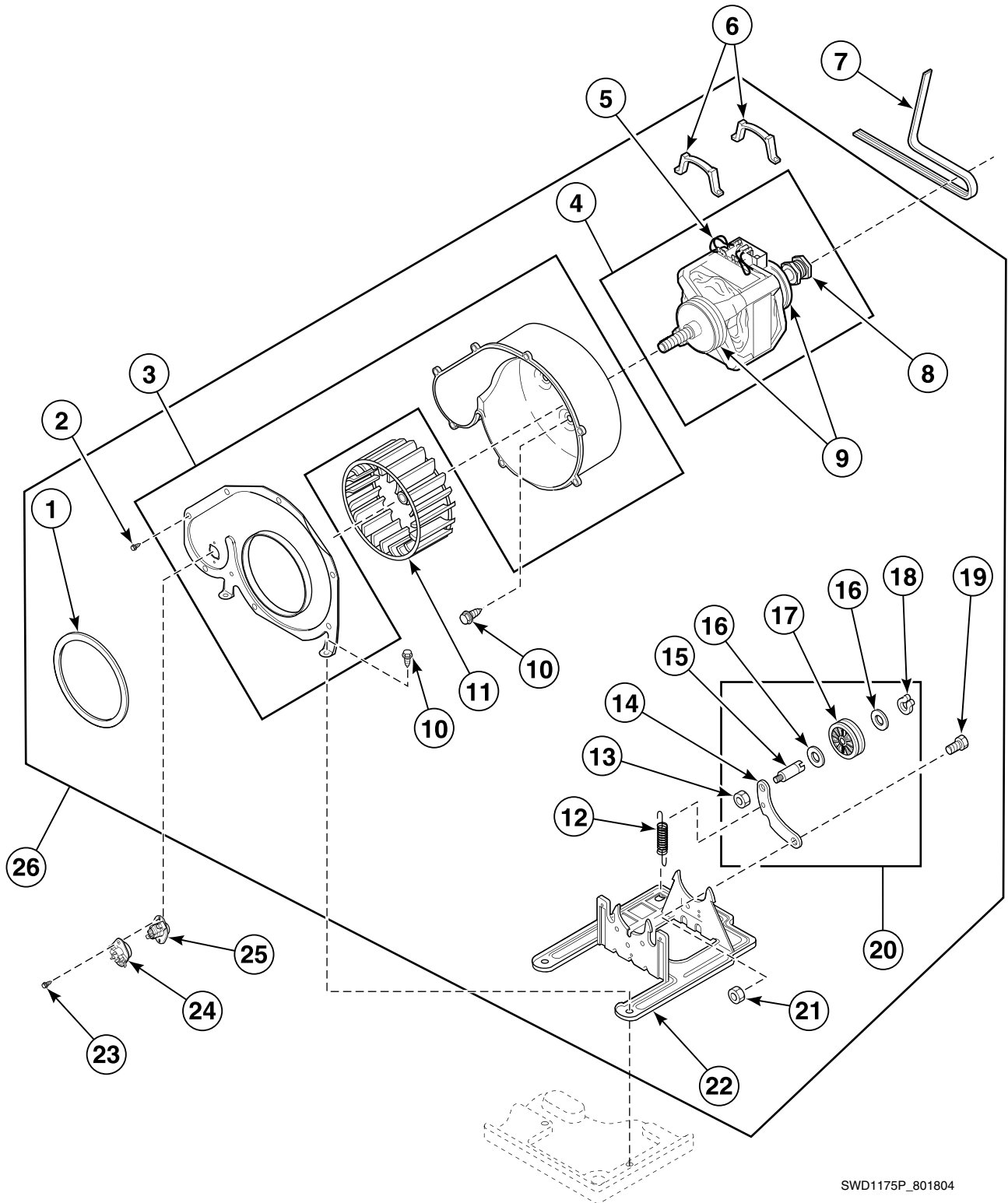
DRY1776P_801804

Dryer Access Panel, Front Panel and Seal

REF	PART NO.	DESCRIPTION	COMMENTS
1	28835	Speed Clip	
2	504570	Switch	
3	511056	Front Panel Seal	
4	510066WP	Front Panel	White
	510066QP	Front Panel	Bisque
5	503688	Screw	
6	512263	Warning Label	Models LTK96A*N4350, LTS97A*N4350 and LTS99A*N3060
7	33562	Screw	Slotted hex head
	62853	Screw	Torx head; Optional for added security
8	510069WP	Access Panel	White
	510069QP	Access Panel	Bisque
9	56079	Panel Locator	
10	39733	Screw	
11	502804	Clean Lint Label	Models LTK96A*N4350, LTS97A*N4350 and LTS99A*N3060
12	510177	Door Catch Assembly	
13	500253	Caution Label	Models LTZ97A*N2802 and LTZ99A*N0902
	500281	Warning/Caution Label	All other models
14	510186	Hinge Hole Plug	

* Add Letter To Designate Color. Q - Bisque W - White

Dryer Motor, Exhaust Fan and Belt



SWD1175P_801804

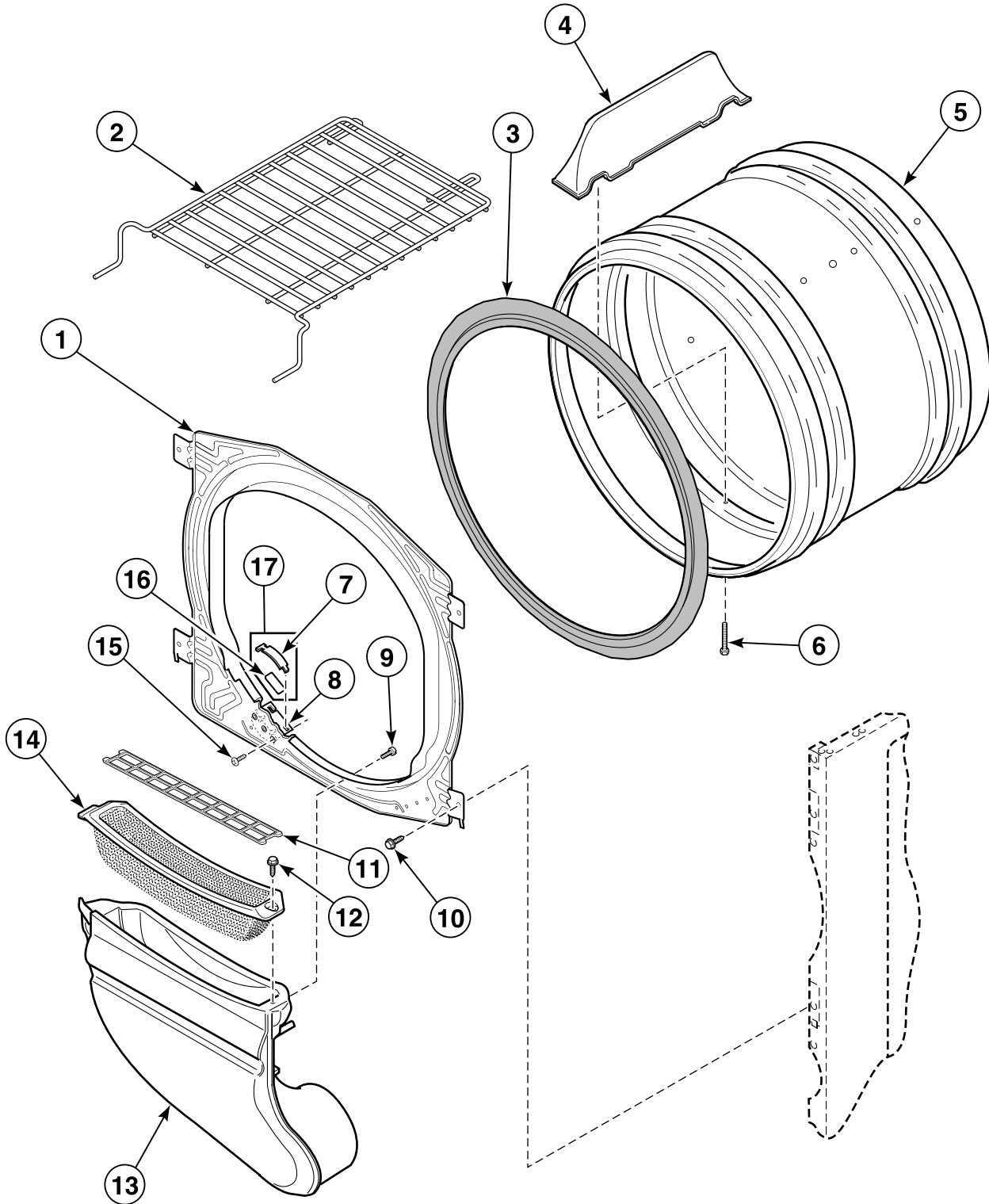
Dryer Motor, Exhaust Fan and Belt

REF	PART NO.	DESCRIPTION	COMMENTS
1	510238P	Blower Housing Seal	
2	31260	Screw	
3	511969P	Blower Housing and Cover Kit	
4	505869P	Motor and Pulley Assembly	240 Volt/60 Hertz; Includes items 5, 8 and 9; Model LTS97A*N3300
	505843P	Motor and Pulley Assembly	240 Volt/50 Hertz; Includes items 5, 8 and 9; Models LTS97A*N3000, LTS97A*N4350, LTS99A*N3000, LTS99A*N3060 and LTS99A*N3080
	511629P	Motor and Pulley Assembly	120 Volt/60 Hertz; Includes items 5, 8 and 9; Models LTZ97A*N2802 and LTZ99A*N0902
5	N/A	Motor Switch Kit	Does not include thermal protector
6	510180	Motor Mount Clamp	
7	511255P	Cylinder Belt	
8	500011	Motor Pulley	60 Hertz
	500222	Motor Pulley	50 Hertz
9	590P3	Motor Hub Ring Kit	
10	503688	Screw	
11	510139P	Blower Fan Assembly	
12	510185	Idler Spring	
13	56156	Nut	
14	510133	Idler Lever	
15	56461P	Shaft	
16	52549	Washer	
17	510142P	Idler Wheel and Bearing Assembly	
18	23748	Retaining Ring	
19	500824	Screw	
20	510158	Idler Lever and Wheel Assembly	
21	52566	Nut	
22	510060	Motor Mount	
23	23222	Screw	
24	504515	Thermostat	Model LTZ97A*N2802
	510707P	Thermostat	Model LTZ99A*N0902
	511957	Thermostat	All other models
25	M411941	Manual Reset Thermostat	Model LTS99A*N3060
26	510717P	Blower and Fan Kit	120 Volt/60 Hertz; Includes items 1-6 and 8-22

* Add Letter To Designate Color. Q - Bisque W - White

N/A = Part no longer available

Front Bulkhead, Air Duct, Felt Seal and Cylinder



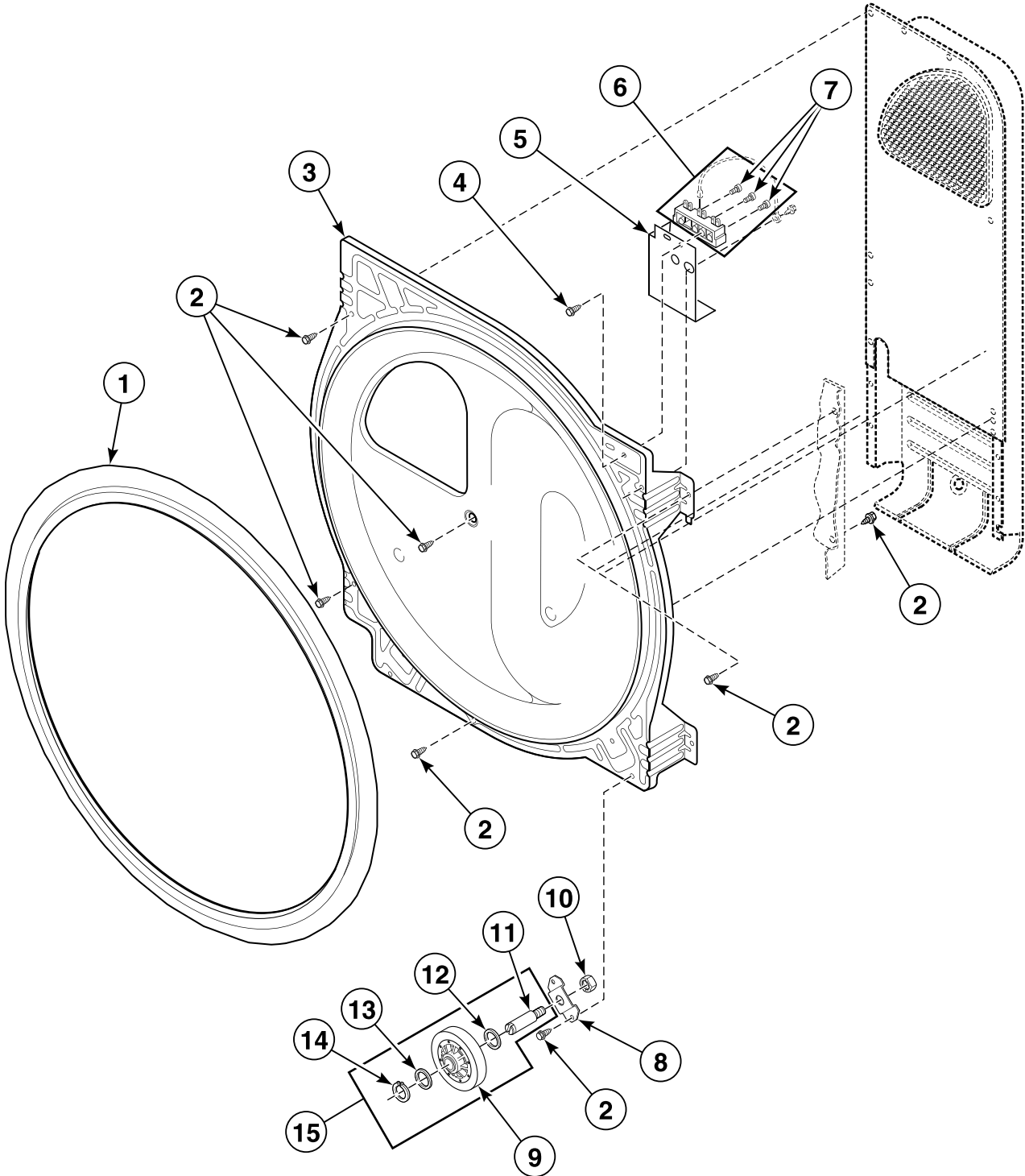
SWD1220P_801804

Front Bulkhead, Air Duct, Felt Seal and Cylinder

REF	PART NO.	DESCRIPTION	COMMENTS
1	511033WP	Front Bulkhead Assembly	Painted; Includes item 3; Models LTZ97A*N2802 and LTZ99A*N0902
	510266P	Front Bulkhead Assembly	Unpainted; Includes item 3; All other models
2	512082P	Drying Rack	Model LTK96A*N4350
3	510207P	Cylinder Seal Assembly	
	511637P	Adhesive	For cylinder seal
	RB170001	Seal Kit	Includes 2 cylinder seals, 510238P Blower Housing Seal and 511637P Adhesive
4	510102	Cylinder Baffle	
5	505929P	Cylinder Assembly	Stainless steel; Includes baffles; Models LTZ97A*N2802 and LTZ99A*N0902
	510265P	Cylinder Assembly	Galvanized; Includes baffles; All other models
6	62588	Screw	
7	510187	Cylinder Glide	
8	510145	Cylinder Glide Bracket	
9	52864	Screw	
10	503688	Screw	
11	510502	Lint Filter Cover	
12	501285	Screw	
13	510151	Air Duct Assembly	
14	503980	Lint Filter	
15	505295	Screw	
16	510189	Felt Pad	
17	RB170003	Glide Kit	Includes items 7 and 16

* Add Letter To Designate Color. Q - Bisque W - White

Rear Bulkhead, Felt Seal, Cylinder Roller and Terminal Block



D403P_801804

Rear Bulkhead, Felt Seal, Cylinder Roller and Terminal Block

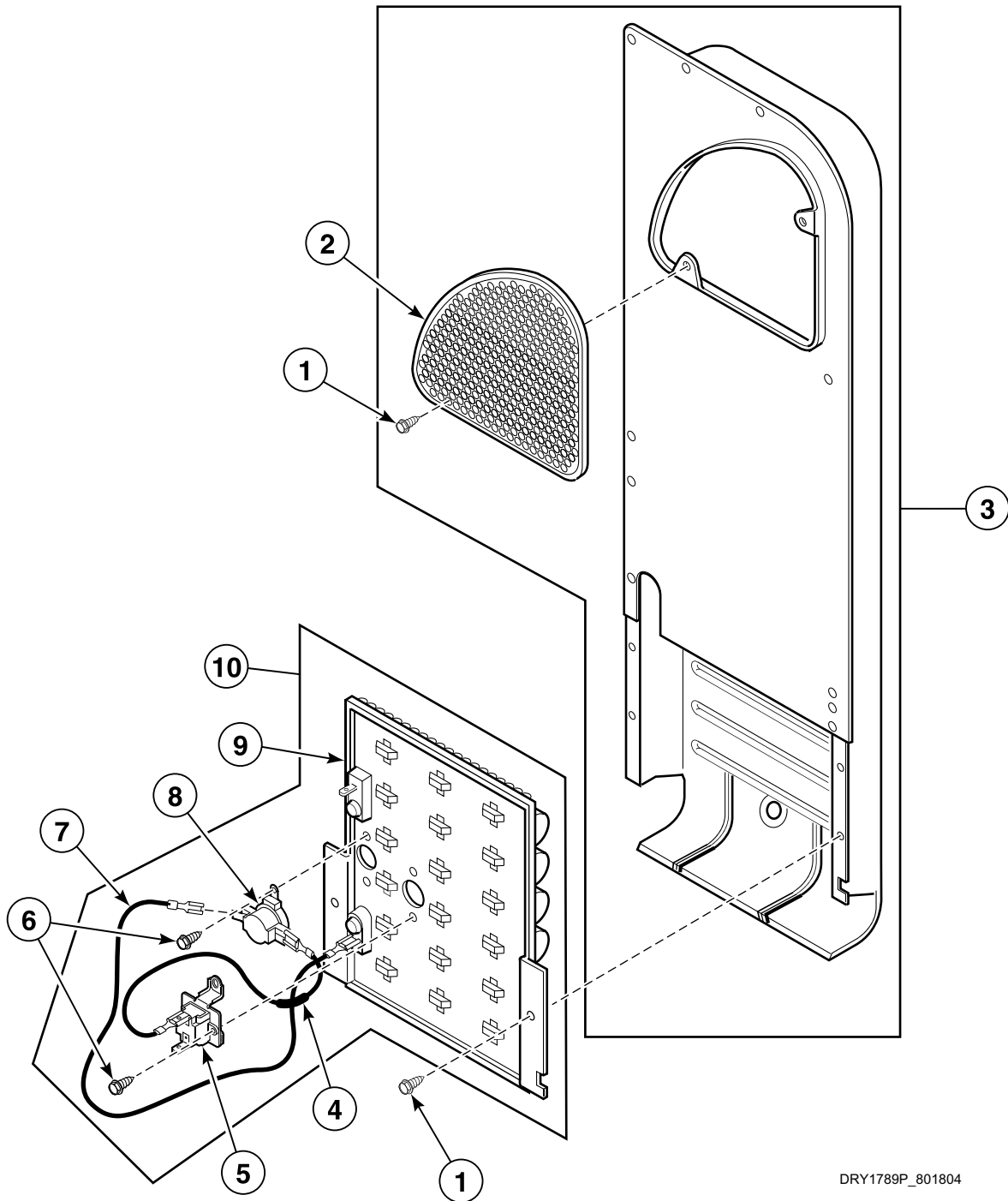
REF	PART NO.	DESCRIPTION	COMMENTS
1	510207P	Cylinder Seal Assembly	
	511637P	Adhesive	For cylinder seal
	RB170001	Seal Kit	Includes 2 cylinder seals, 510238P Blower Housing Seal and 511637P Adhesive
2	503688	Screw	
3	N/A	Rear Bulkhead Assembly	Models LTZ97A*N2802 and LTZ99A*N0902
	511082P	Rear Bulkhead Assembly	Galvanized; Includes item 1; All other models
4	501285	Screw	Electric models
5	510237	Terminal Block Shield	Electric models
6	510190P	Terminal Block Assembly	Includes 3 of item 7
7	61199	Screw	
8	510100	Cylinder Roller Bracket	
9	510708P	Cylinder Roller	
10	56156	Nut	
11	56461P	Shaft	
12	504082	Washer	
13	52549	Washer	
14	23748	Retaining Ring	
15	RB170002	Roller Kit	Includes items 9 and 11-14

* Add Letter To Designate Color. Q - Bisque W - White

N/A = Part no longer available

Heater Duct and Element Assembly

Electric Model Dryers



DRY1789P_801804

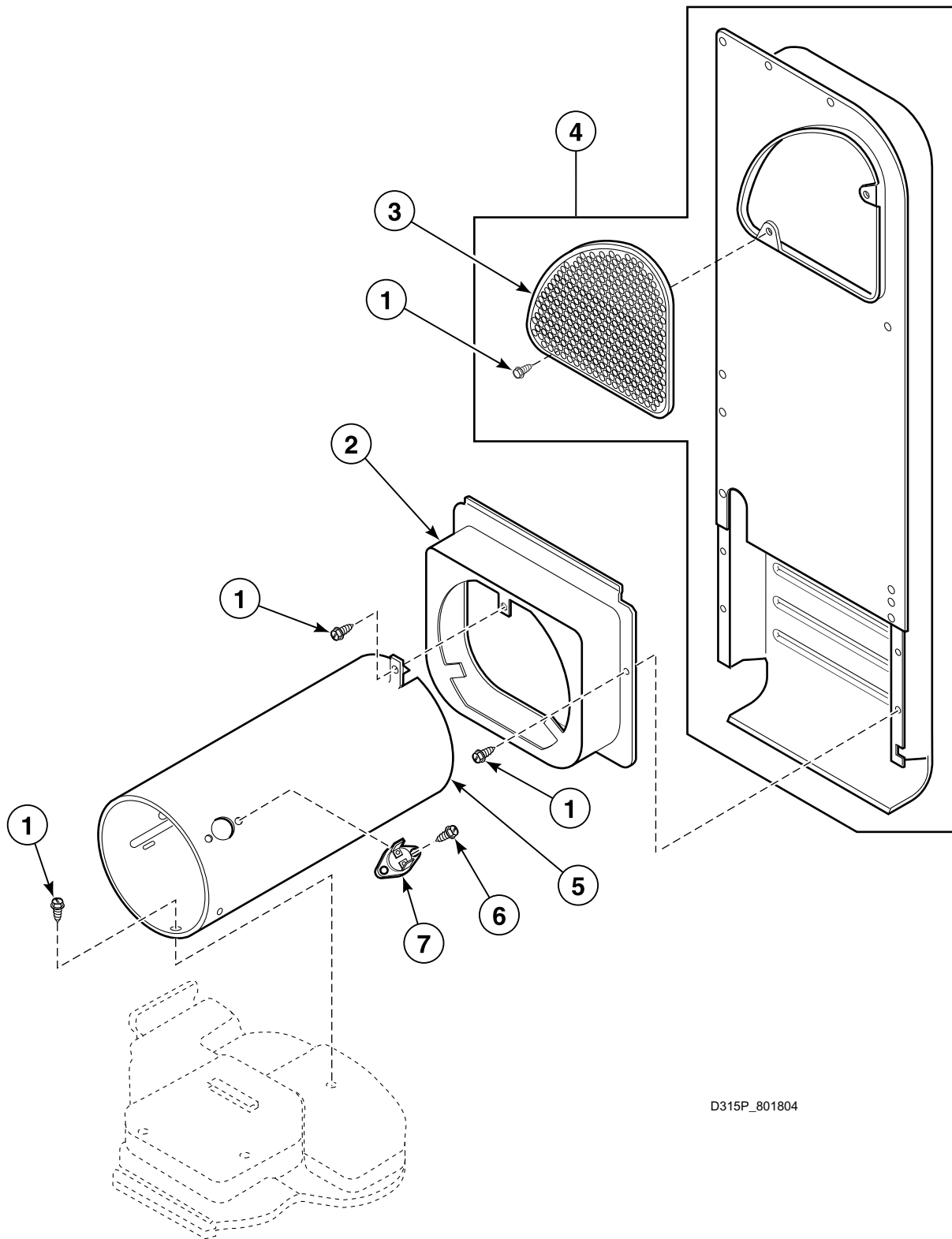
Heater Duct and Element Assembly

REF	PART NO.	DESCRIPTION	COMMENTS
1	503688	Screw	
2	500820	Outlet Cover	
3	510025P	Heater Duct and Screw Assembly	Includes items 1 and 2
4	510528	Wire Assembly	Orange; Thermostat jumper; Attaches to heater assembly
5	511412	Thermal Fuse Assembly	
6	23222	Screw	
7	510527	Wire Assembly	Black; Fuse jumper; Attaches to heater assembly
8	510701	Limit Thermostat	
9	510326P	Heater Assembly	Model LTS97A*N3000; 4800 Watt; 240 Volt/50 Hertz
	510327P	Heater Assembly	Model LTS97A*N4350; 4000 Watt; 240 Volt/50 Hertz
	510324P	Heater Assembly	Models LTS97A*N3300 and LTZ97A*N2802; 5000 Watt; 240 Volt/60 Hertz
10	61929	Heater Kit Assembly	Model LTS97A*N3000; 4800 Watt; 240 Volt/50 Hertz; Includes items 4-9
	61930	Heater Kit Assembly	Model LTS97A*N4350; 4000 Watt; 240 Volt/50 Hertz; Includes items 4-9
	61927	Heater Kit Assembly	Models LTS97A*N3300 and LTZ97A*N2802; 5000 Watt; 240 Volt/60 Hertz; Includes items 4-9

* Add Letter To Designate Color. Q - Bisque W - White

Heater Duct Assembly

Gas Model Dryers



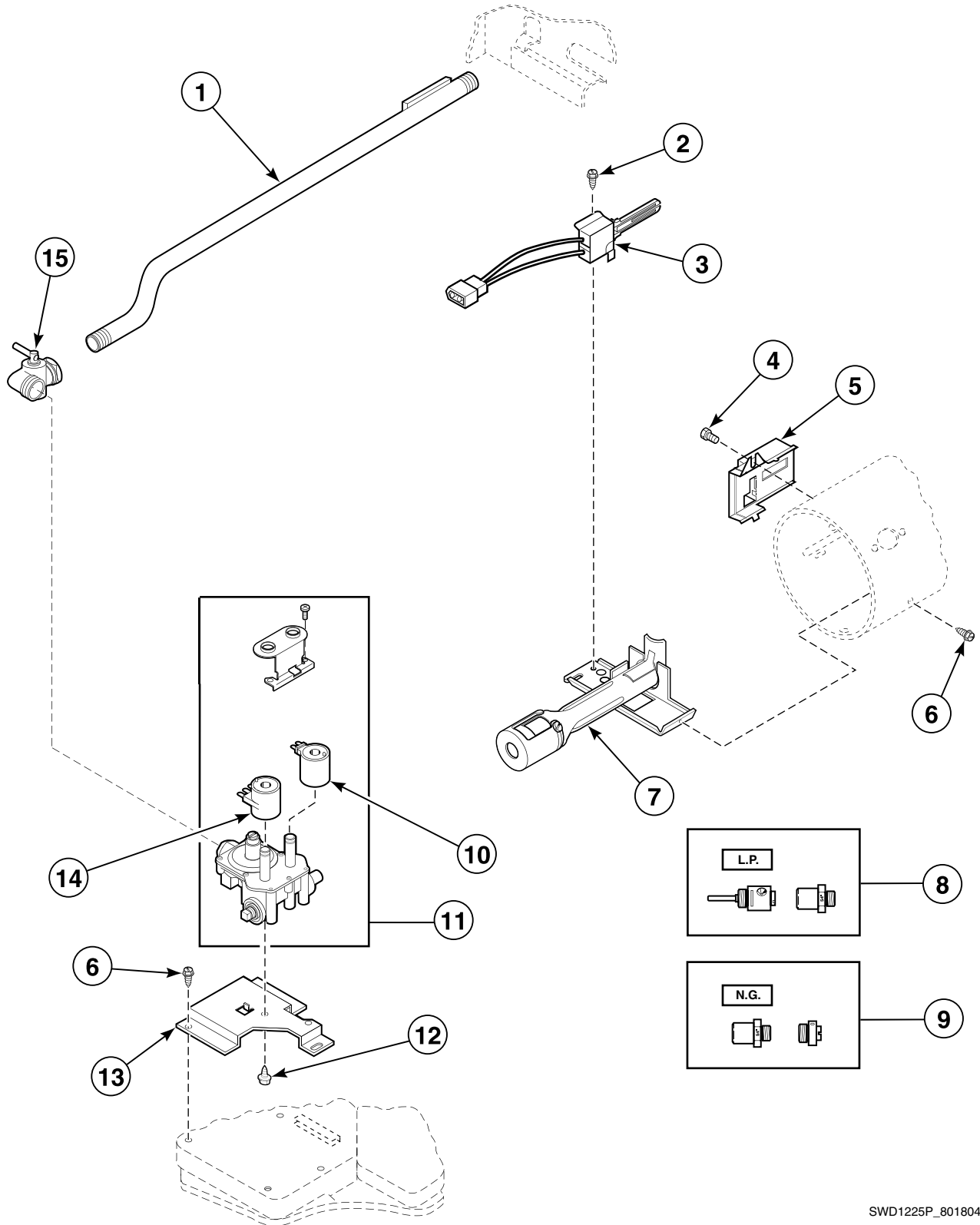
D315P_801804

Heater Duct Assembly

REF	PART NO.	DESCRIPTION	COMMENTS
1	503688	Screw	
2	510101	Heat Duct Shroud	
3	500820	Outlet Cover	
4	510025P	Heater Duct and Screw Assembly	Includes items 1 and 3
5	510131	Combustion Duct	
6	51782	Screw	
7	510702	Limit Thermostat	Color code "black"

Gas Valve, Igniter and Gas Conversion Kits

Gas Model Dryers



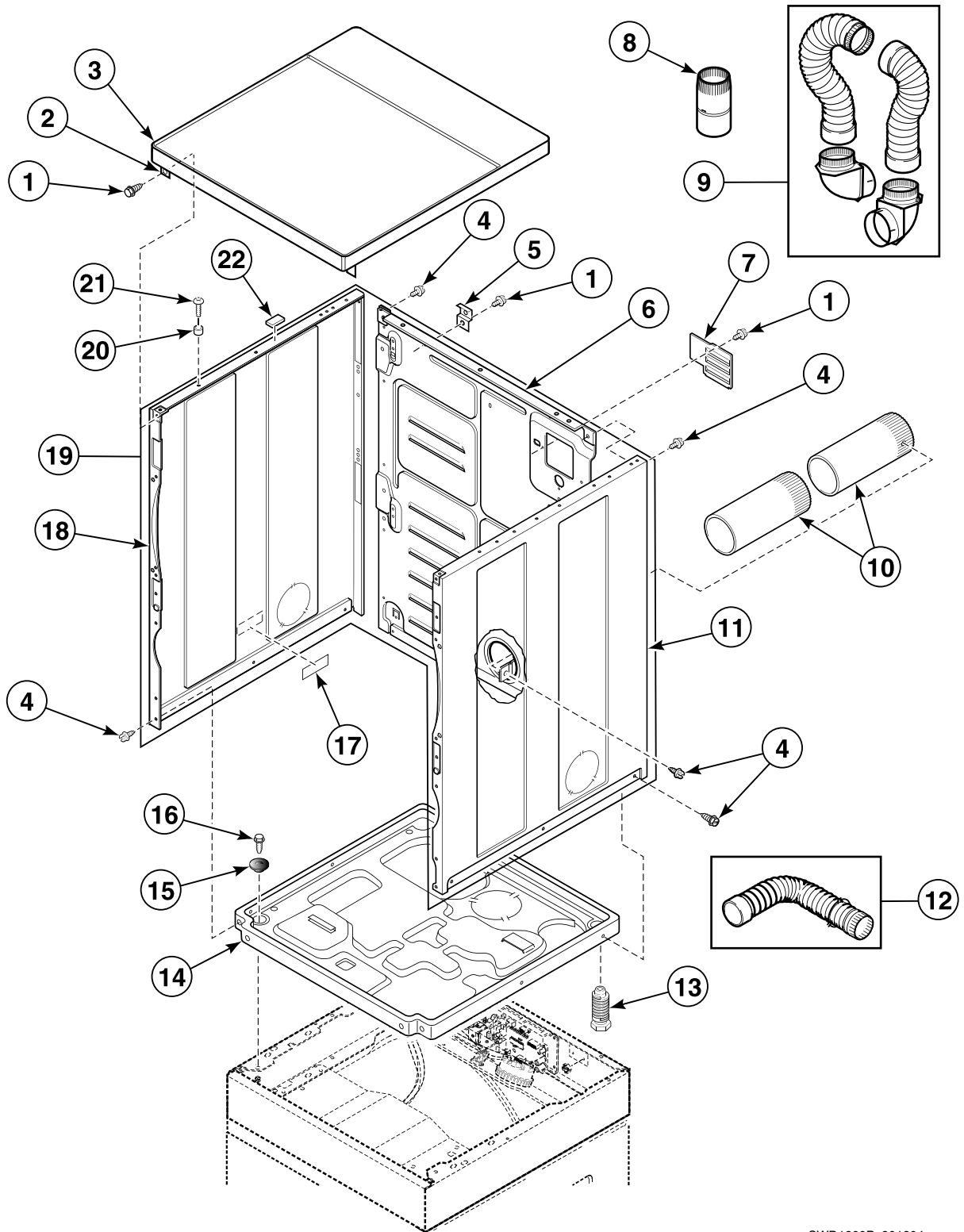
SWD1225P_801804

Gas Valve, Igniter and Gas Conversion Kits

REF	PART NO.	DESCRIPTION	COMMENTS
1	510204	Lead-In Pipe Assembly	
2	51782	Screw	
3	510184P	Igniter and Bracket Assembly	
4	23222	Screw	
5	510213	Sensor	
6	503688	Screw	
7	510149P	Burner Assembly	
8	649P3	L.P. Conversion Kit	Used to convert dryers from Natural Gas (N.G.) or Mixed Gas to Liquid Petroleum Gas (L.P.); 22,500 Btu
9	650P3	N.G. Conversion Kit	Used to convert dryers from L.P. to N.G. or Mixed Gas; 22,500 Btu
10	58804B	Secondary Coil	
11	510506P	Gas Valve Assembly	60 Hertz, 22,500 Btu; Model LTZ99A*N0902
	59063P	Gas Valve Assembly	50 Hertz, 20,000 Btu; Models LTS99A*N3000, LTS99A*N3060 and LTS99A*N3080
12	56124	Screw	
13	510128	Gas Valve Mounting Bracket	
14	58804A	Booster and Holding Coil	
15	510205	Elbow Shut-Off Valve	

* Add Letter To Designate Color. Q - Bisque W - White

Dryer Cabinet, Exhaust Duct and Base



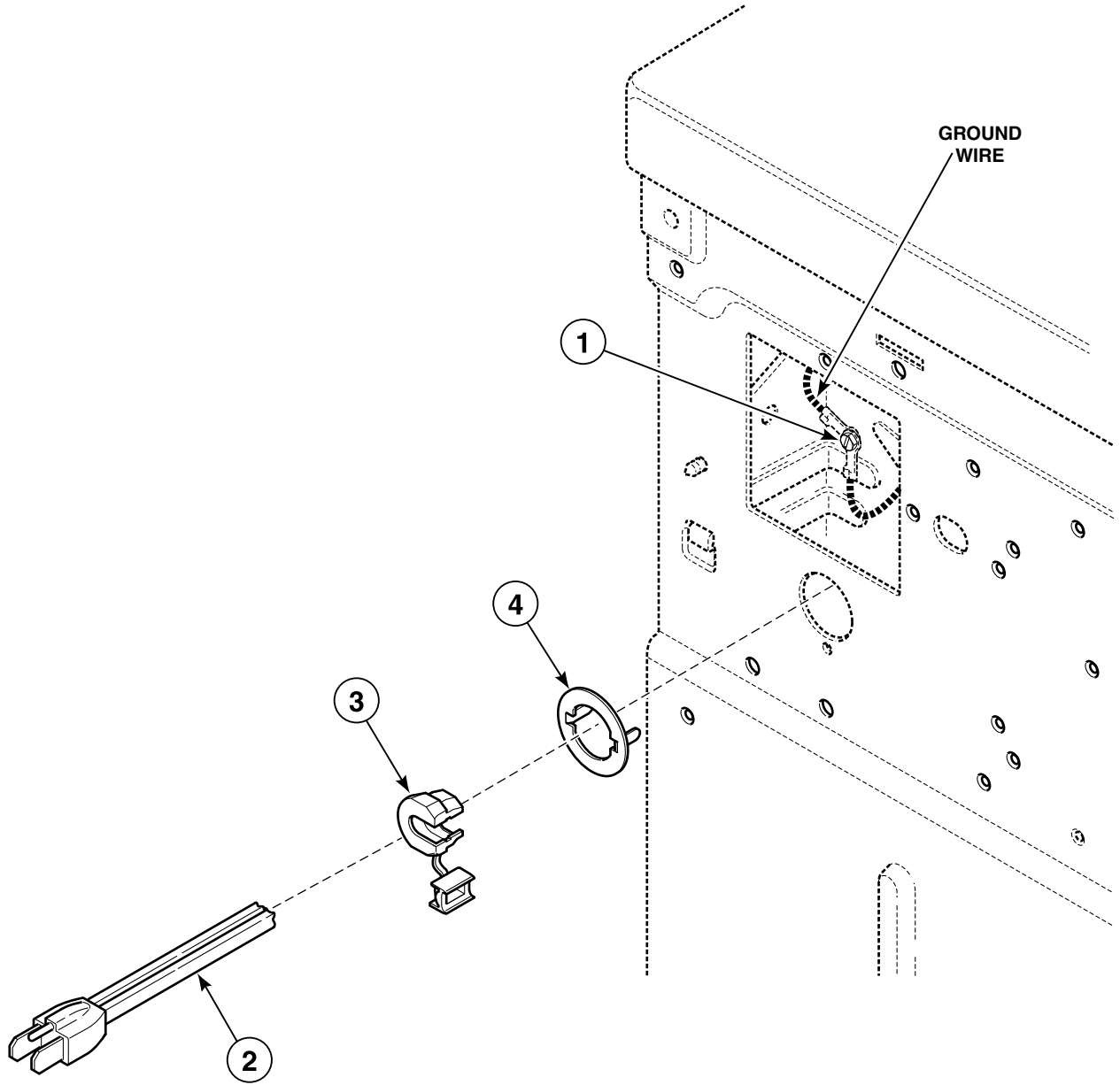
SWD1260P_801804

Dryer Cabinet, Exhaust Duct and Base

REF	PART NO.	DESCRIPTION	COMMENTS
1	503661	Screw	
2	510146	Bracket	
3	510032WP	Top Kit	White
	510032QP	Top Kit	Bisque
4	503688	Screw	
5	510136	Top Hinge	
6	510005P	Cabinet Rear Panel	
7	510903	Access Panel Plate	
8	58786	Damper	
9	521P3	Flexible Venting Kit	
10	510137	Exhaust Duct	Each dryer requires 2 pieces
11	510002WP	Cabinet Side Panel	White; Right
	510002QP	Cabinet Side Panel	Bisque; Right
12	528P3	Directional Exhaust Kit	Used to vent dryer out the sides
13	510135	Leveling Leg	
14	510084	Dryer Base	
15	26509	Washer	
16	502431	Screw	
17	61294	Fuse Notice Label	Electric models
18	510001WP	Cabinet Side Panel	White; Left
	510001QP	Cabinet Side Panel	Bisque; Left
19	727P3W	Panel Kit	White; Replaces the 1 piece wrap-a-round cabinet; Kit includes items 6, 10, 16 and the necessary attaching hardware
	727P3Q	Panel Kit	Bisque; Replaces the 1 piece wrap-a-round cabinet; Kit includes items 6, 10, 16 and the necessary attaching hardware
20	56079	Panel Locator	
21	39733	Screw	
22	56128	Bumper Pad	

Power Cord

Models LTS99A*N3060, LTZ97A*N2802 and LTZ99A*N0902



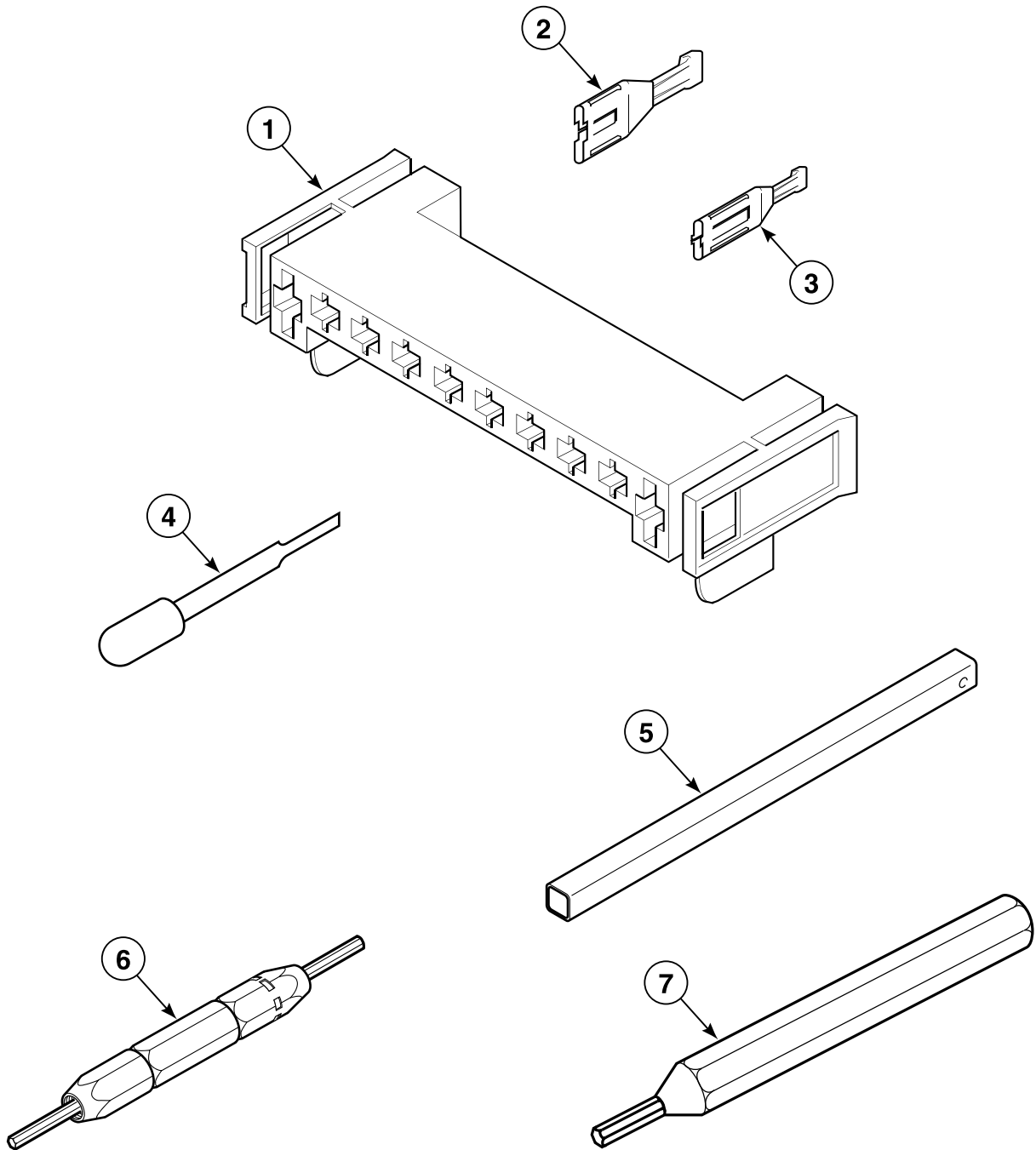
SWD1234P_801804

Power Cord

REF	PART NO.	DESCRIPTION	COMMENTS
1	20530	Screw	
2	58992	Power Cord Assembly	Model LTZ99A*N0902
	57397	Power Cord Assembly	Model LTZ97A*N2802
	512019	Lead-In Cord	Model LTS99A*N3060
3	52151	Strain Relief	Model LTZ99A*N0902
	60298	Strain Relief	Model LTS99A*N3060
4	502496	Strain Relief Adapter	Models LTS99A*N3060 and LTZ99A*N0902

* Add Letter To Designate Color. Q - Bisque W - White

Dryer Motor Connection Block, Terminal Extractor Tools



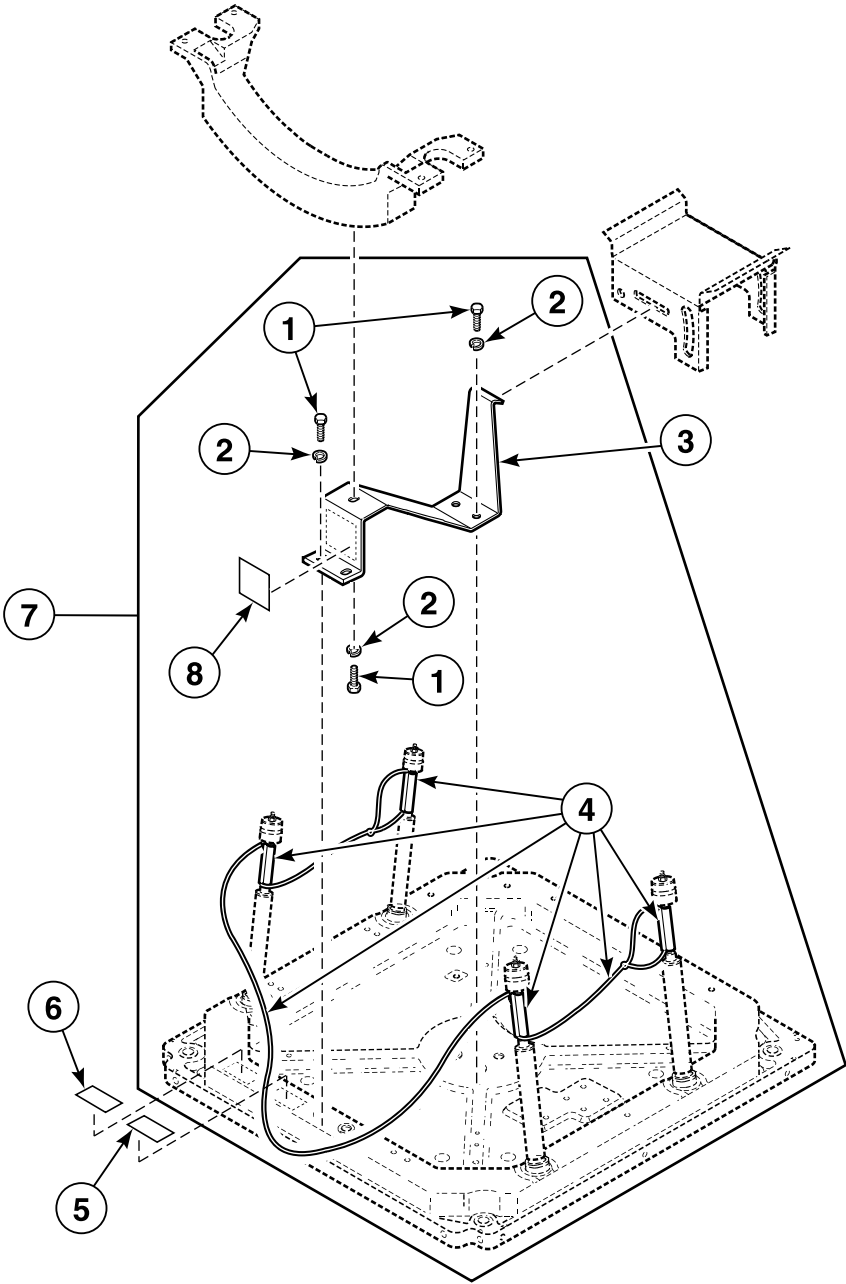
D319P_801804

Dryer Motor Connection Block, Terminal Extractor Tools

REF	PART NO.	DESCRIPTION	COMMENTS
1	500338	10 Position Housing	Molex
2	00255	Female Terminal	1/4 inch; For (1) 12 gauge wire
	00256	Female Terminal	1/4 inch; For (1) or (2) 18 gauge wires
3	00188	Female Terminal	For 1 or 2 wire applications
4	283P4	Terminal Extractor Tool	For use on Molex connectors
5	310P4	Ratchet Extension Tool	1/4 inch; For coin drop installation
6	190P4	Extractor Tool	For use on electric dryer terminals
7	128P4	Extractor Tool	For use on gas dryer terminals

* Add Letter To Designate Color. Q - Bisque W - White

Shipping Materials



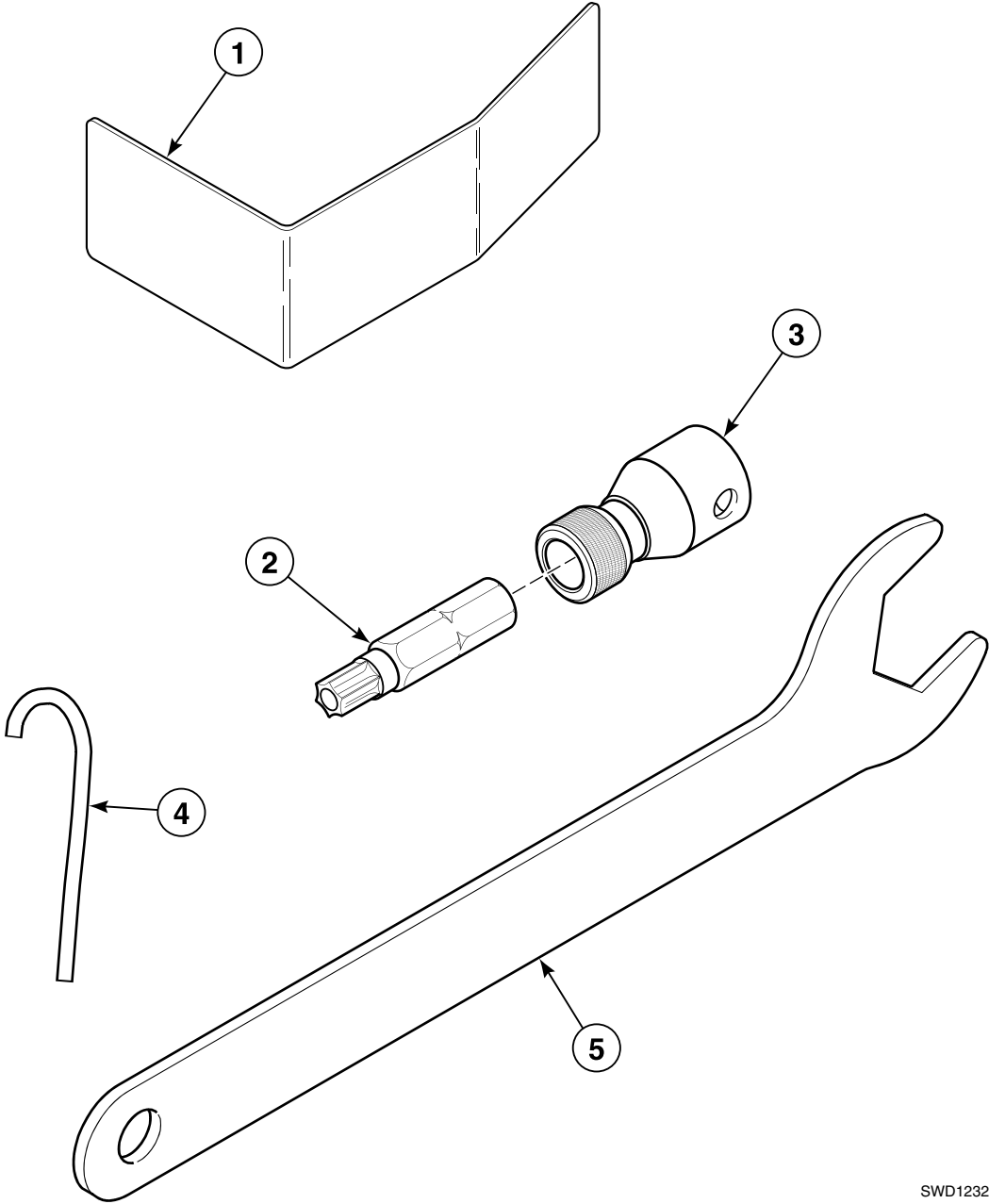
FLW845P_801804

Shipping Materials

REF	PART NO.	DESCRIPTION	COMMENTS
1	M400043	Screw	
2	M400014	Washer	
3	685911	Shipping Bracket	
4	800364P	Shipping Cord and Brace Assembly	
5	800632	Warning Label	Non-grounded
6	500314	Warning Label	Models LTZ97A*N2802 and LTZ99A*N0902
	502506	Pinched Fingers Label	All other models
	502511	Electrical Shock Label	All other models
7	728P3	Shipping Materials Kit	Includes items 1-4, 8
8	686901	Shipping Bracket Label	

* Add Letter To Designate Color. Q - Bisque W - White

Special Tools

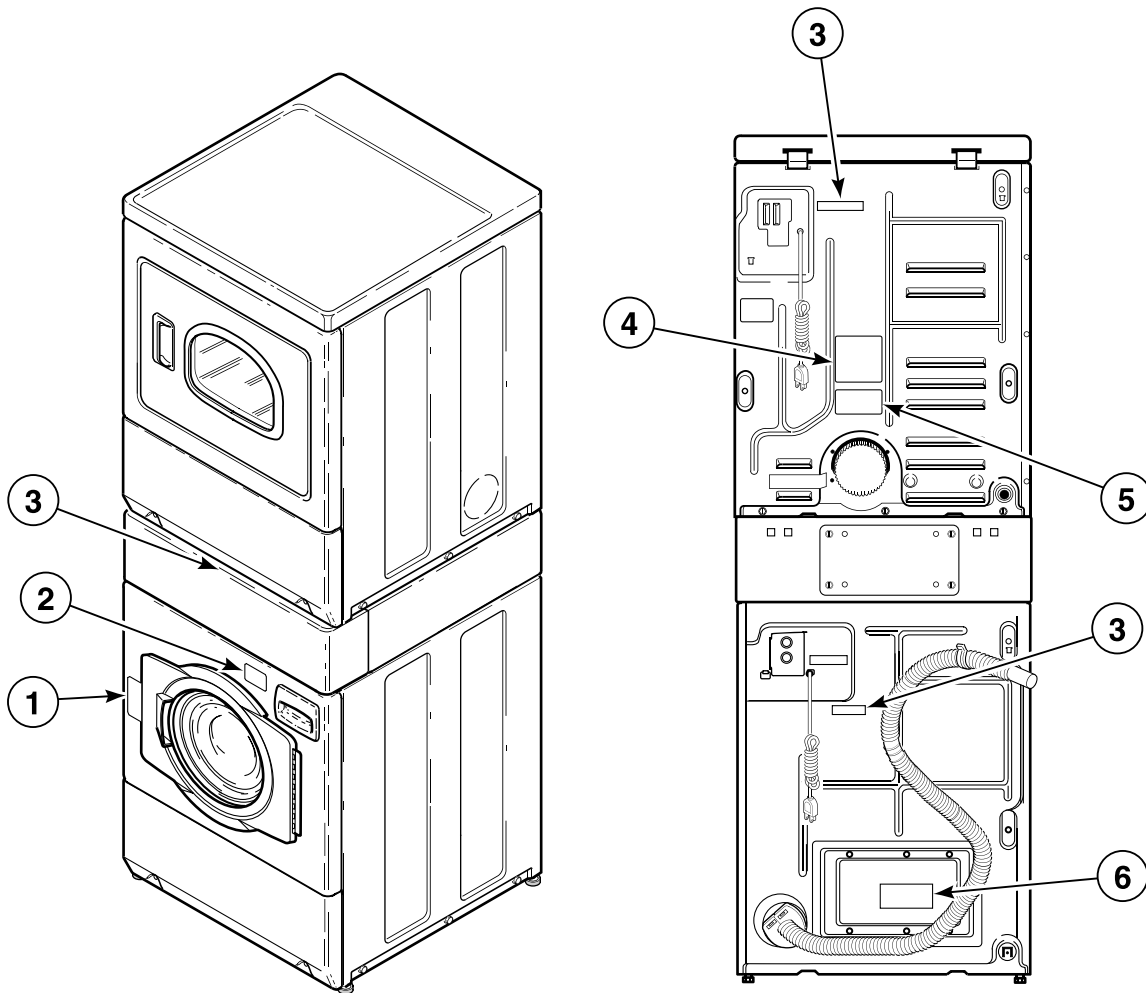


SWD1232P_801804

Special Tools

REF	PART NO.	DESCRIPTION	COMMENTS
1	318P4	Dispenser Drawer Tool	Use to remove dispenser drawer
2	282P4	Torx Bit	Use with Torx head screws
3	24161	Bit Holder	
4	802336	Pulley Bolt Tightening Fixture	Use to install inner basket
5	392P4	Wrench	Use for adjusting leveling legs

Labels

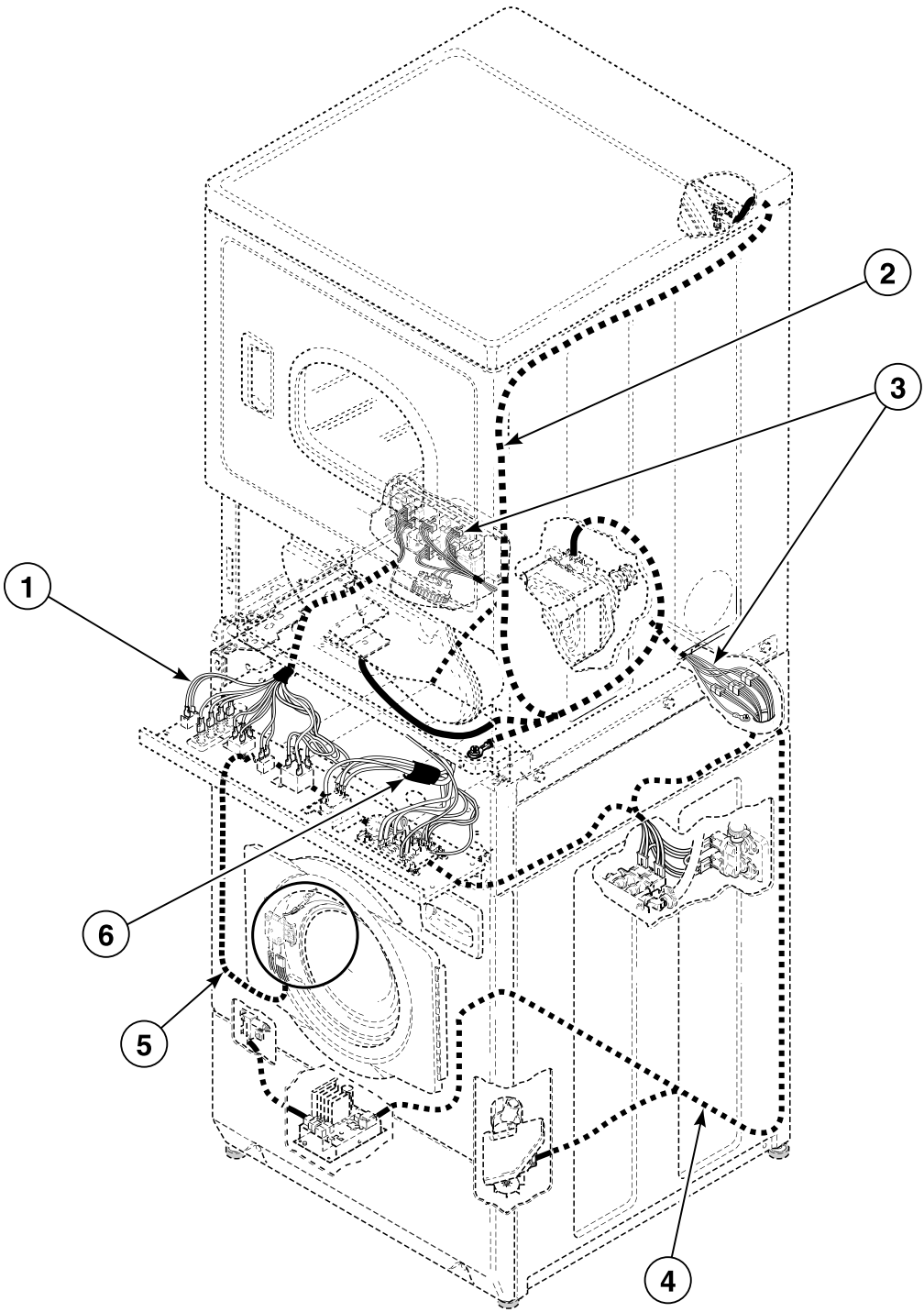


SWD1156P_801804

Labels

REF	PART NO.	DESCRIPTION	COMMENTS
1	685947	Door Locked Label	
2	800420	Oversudsing Label	English
	800621	Oversudsing Label	Spanish
3	505281	Disconnect Power Warning Label	
4	502791	Venting Instruction Label	
5	505281	Disconnect Power Warning Label	English
	502511	Electrical Shock Label	Icon
6	500497	Exhaust Warning Label	
7	500049	Warning Label	English
	500314	Warning Label	Quebec French
	502511	Electrical Shock Label	Icon

Wire Harnesses and Wires



SWD1161P_801804

Wire Harnesses and Wires

REF	PART NO.	DESCRIPTION	COMMENTS
	45001	18 Gauge Wire	Black
	45380	12 Gauge Wire	Orange
1	802114	Control Panel Harness Assembly	Model LTK96A*N4350
	801326P	Control Panel Harness Assembly	All other models
2	511750P	Wire Harness Assembly	Dryer; Models LTS97A*N3000, LTS97A*N3300 and LTS97A*N4350
	511303	Wire Harness Assembly	Dryer; Models LTS99A*N3000 and LTS99A*N3080
	511322P	Upper Harness Assembly	Dryer; Model LTZ97A*N2802
	511325P	Upper Harness Assembly	Dryer; Model LTZ99A*N0902
	511781	Wire Harness Assembly	Dryer; Model LTS99A*N3060
3	801353	Control Wire Harness Assembly	Model LTK96A*N4350
	801324P	Control Harness Assembly	Models LTZ97A*N2802 and LTZ99A*N0902
	801346P	Control Harness Assembly	All other models
4	801063P	Motor Harness Assembly	
5	801494	Base Harness Assembly	Model LTK96A*N4350
	800590P	Base Harness Assembly	Models LTZ97A*N2802 and LTZ99A*N0902
	N/A	Base Harness Assembly	All other models
6	511752P	Security Cabinet Harness Assembly	Models LTS97A*N3000, LTS97A*N3300 and LTS97A*N4350
	511767	Security Cabinet Harness Assembly	Models LTS99A*N3000, LTS99A*N3060 and LTS99A*N3080
	511324P	Security Cabinet Harness	Model LTZ97A*N2802
	511323	Security Cabinet Harness Assembly	Model LTZ99A*N0902

* Add Letter To Designate Color. Q - Bisque W - White

NOTE: Individual wires are not available separately. Order complete harness, or order wire by the foot. When applying terminals to wires, it is recommended that the terminals be soldered to the wires.

N/A = Part no longer available

Parts Index

A

Access Panel	
510069QP	9, 11, 33
510069WP	9, 11, 33
Access Panel Damper	
685368	9, 11
Access Panel Plate	
510903	47
Adhesive	
511637P	37, 39
Air Duct Assembly	
510151	37
Anchor Floor Mount Assembly	
802844P	25
Anti-Seize Compound	
27604P	19

B

Backflow Preventer	
34500	13, 15
800310	23
Ballast Weight	
800205	17
Base Assembly	
802245	25
Base Harness Assembly	
800590P	59
801494	59
Base Shock Absorber Kit	
800623P	17
Bearing Housing Kit	
800428P	19
Bearing Kit	
RB160001	19
Bit Holder	
24161	55
Blower and Fan Kit	
510717P	35
Blower Fan Assembly	
510139P	35
Blower Housing and Cover Kit	
511969P	35
Blower Housing Seal	
510238P	35
Booster and Holding Coil	
58804A	45
Brace Kit	
918P3	25
Bracket	
510146	47
Bumper Pad	
56128	25, 47
Burner Assembly	
510149P	45

C

Cabinet Brace	
801491	25
801492	25
Cabinet Panel Kit	
800004QP	25
800004WP	25
Cabinet Rear Panel	
510005P	47
Cabinet Side Panel	
510001QP	47
510001WP	47
510002QP	47
510002WP	47
Cable Connection Box	
39922	27
Cap	
801746	13
Caution Label	
500253	33
Clamp Ring	
800312	17
Clean Lint Label	
502804	33
Combustion Duct	
510131	43
Control Access Door	
801373	5
Control Assembly	
802523P	5
Control Cabinet Bottom	
801777	7
Control Harness Assembly	
801324P	59
801346P	59
Control Panel Assembly	
802101W	7
Control Panel Harness Assembly	
801326P	59
802114	59
Control Shield	
801061	21
801371	5
801372	5
Control Wire Harness Assembly	
801353	59
Cycle Switch	
801240	7
Cylinder Assembly	
505929P	37
510265P	37
Cylinder Baffle	
510102	37
Cylinder Belt	
511255P	35
Cylinder Glide	
510187	37
Cylinder Glide Bracket	
510145	37

N/A items do not appear in index.

Cylinder Roller 510708P	39
Cylinder Roller Bracket 510100	39
Cylinder Seal Assembly 510207P	37, 39

D

Damper 58786	47
Detergent Cover 800899	13
Directional Exhaust Kit 528P3	47
Disconnect Power Warning Label 505281	57
Dispenser 685756P	13
801090P	13
Dispenser Assembly 801476P	13
Dispenser Drawer Front 685715Q	13
685715WP	13
Dispenser Drawer Tool 318P4	55
Dispenser Plate 801024	13
Dispenser-to-Tub Hose 800331	13
Domed Label 800921	7
800922	7
Door and Liner Assembly 511636QP	31
511636WP	31
Door Assembly 800436QP	9
800436WP	9
801928QP	11
801928WP	11
Door Bezel 800341Q	9
800341W	9
Door Catch Assembly 510177	33
Door Glass 800343P	9, 11
Door Handle 800342	9
Door Handle Wedge 510129	31
Door Hinge 802934	9, 11
Door Latch/Switch Assembly 685429	9, 11
Door Liner Grill 503870W	31
Door Locked Label 685947	57
Door Pull and Wedge Kit 510103QP	31

N/A items do not appear in index.

510103WP	31
Door Seal and Hose Assembly 800232	9, 11, 13
801784	9, 11, 13
Door Seal Clamp 685743P	9, 11
Door Strike 510181	31
Door Strike Mount 510127	31
Door Switch 800211	9, 11
Door Switch Assembly 801821	11
Drain Hose 685730	23
Drain Hose Sleeve 33615	23
Drain Pump 802623P	23
802624P	23
802625P	23
Drive Belt 800319P	21
Driven Pulley 800866	19
Dryer Base 510084	47
Dryer Door 510082QP	31
510082WP	31
Dryer Door Window 503982	31
Drying Rack 512082P	37

E

Elbow Shut-Off Valve 510205	45
Electrical Shock Label 502511	17, 53, 57
Exhaust Duct 510137	47
Exhaust Warning Label 500497	57
Expansion Clip 70030501	5, 7
Extension Spring 800346	9, 11
Extractor Tool 128P4	51
190P4	51

F

Fabric Selector Switch 513505	7
Felt Pad 510189	37

Female Terminal	
00188	51
00255	51
00256	51
Fill Hose	
20617	15
20618	15
37380	15
37381	15
Fill Hose Kit	
38349P	15
Flexible Venting Kit	
521P3	47
Front Bulkhead Assembly	
510266P	37
511033WP	37
Front Panel	
510066QP	33
510066WP	33
800336QP	9, 11
800336WP	9, 11
Front Panel Seal	
511056	33
Fuse	
801755	21
Fuse Notice Label	
61294	47

G

Gas Valve Assembly	
510506P	45
59063P	45
Gas Valve Mounting Bracket	
510128	45
Gasket	
802427	23
Glide Kit	
RB170003	37
Graphic Overlay	
801142	7
802099	7
Grommet	
29175	17
802218	23
Grounding Clip	
00161	17

H

Hardware Kit	
838P3	19
Harness Strap	
55881	9, 11, 13, 29
Heat Duct Shroud	
510101	43
Heater Assembly	
510324P	41
510326P	41
510327P	41
Heater Duct and Screw Assembly	
510025P	41, 43

Heater Harness Assembly	
801350	17
Heater Kit Assembly	
61927	41
61929	41
61930	41
Heating Element Kit	
803557P	17
Hinge	
511036	31
Hinge Hole Plug	
510186	33
Hinge Plate	
802412	9, 11
Hold-Down Clip	
800906	9, 11
Hole Plug	
M412154	25
Hose Clamp	
F200206	13, 23
36802	23
39282	17
685725	13
802164	9, 11, 13, 15
Hose Clip	
36985	5, 29
800553	19
Hose Mounting Plate	
800552	19
Housing, 10 Position	
500338	51

I

Idler Lever	
510133	35
Idler Lever and Wheel Assembly	
510158	35
Idler Spring	
510185	35
Idler Wheel and Bearing Assembly	
510142P	35
Igniter and Bracket Assembly	
510184P	45
Inner Basket Assembly	
800429P	19
803007P	19
Inner Door Bezel	
800340	9
801903	11
Insert	
685716	13
Inverter Assembly Kit	
801526P	21
801527P	21
Inverter Control Assembly	
803254P	21
803255P	21

N/A items do not appear in index.

J

Junction Box	
801403	27
Junction Box Cover	
801404	27
Junction Box Seal	
801425P	27

K

Knob Assembly	
36701Q	7
36701W	7

L

Lead-In Cord	
201574	27
512019	49
Lead-In Pipe Assembly	
510204	45
Left Control Cabinet Side	
800900QP	5
800900WP	5
Leveling Leg	
34319	25
510135	47
Lid Assembly	
801206P	23
802426P	23
Light	
801431	7
801432	7
Limit Thermostat	
510701	41
510702	43
Line Filter	
201058	27
Liner and Seal Assembly	
510098W	31
Liner Door Seal	
510147P	31
Lint Filter	
503980	37
Lint Filter Cover	
510502	37
Locking Catch	
685430	9, 11
Lower Junction Box	
801433	27
L.P. Conversion Kit	
649P3	45

M

Manual Reset Thermostat	
M411941	35

Mixing Valve	
802220P	15
802222P	15
Mixing Valve Plate	
800323	15
Mixing Valve Screen	
802926	15
Motor Access Hole Edging	
801702	25
Motor and Pulley Assembly	
505843P	35
505869P	35
511629P	35
Motor and Rod Assembly Kit	
801684P	21
Motor Harness Assembly	
801063P	59
Motor Hub Ring Kit	
590P3	35
Motor Mount	
510060	35
Motor Mount Clamp	
510180	35
Motor Mount Rod	
801062	21
Motor Pulley	
500011	35
500222	35

N

Nozzle Cap	
801112	23
Nut	
F430218	17, 19
21899	25
23951	9, 11
36020	9, 11
52566	35
56156	35, 39
685844	19
685846	9
800452	17
800931	5
801994	11
N.G. Conversion Kit	
650P3	45

O

O-Ring	
801207	23
802429	23
802487	23
Outer Door Bezel	
801904Q	11
801904W	11
Outer Tub Assembly	
801081P	17
801291	17
Outlet Cover	
500820	41, 43

N/A items do not appear in index.

Out-of-Balance Switch Assembly	
801006	17
Oversudsing Label	
800420	57
800621	57

P

Panel Kit	
727P3Q	47
727P3W	47
Panel Locator	
56079	9, 11, 25, 33, 47
Pinched Fingers Label	
502506	17, 53
Pop Rivet	
685847	19
Power Cord Assembly	
39931	27
57397	49
58992	49
801450	27
Pressure Bulb	
30907	17
Pressure Switch	
800468P	5
801297P	5
Pulley Bolt Tightening Fixture	
802336	55
Pump Bracket	
802219	23
Pump Housing	
801208	23
802428	23
Pump Housing Assembly	
801209	23
802434P	23
Pump Mount	
802432	23
Pump Shield	
38067	23
Push-to-Start Switch	
801434Q	7
801434W	7

R

Ratchet Extension Tool	
310P4	51
Rear Access Panel	
800011	25
Rear Bulkhead Assembly	
511082P	39
Rear Control Cabinet	
801058	5
Rear Panel	
800010P	25
Resistor	
210100	5
Resistor Assembly	
511277	7

Retainer Clip	
36014	23
Retaining Ring	
23748	21, 35, 39
Right Control Cabinet Side	
800915Q	5
800915W	5
Rocker Switch	
38424Q	7
38424W	7
Roller Kit	
RB170002	39
Rubber Foot	
34318	25

S

Screw	
M400043	19, 53
M400057	21
20530	49
23222	35, 41, 45
31260	35
31645	25
33562	33
38096	23
39733	9, 11, 25, 33, 47
430497	5
500226	31
500824	35
501086	7, 15
501285	23, 37, 39
501524	5, 21
502431	47
503661	5, 9, 11, 15, 17, 21, 23, 25, 27, 47
503688	5, 33, 35, 37, 39, 41, 43, 45, 47
505295	31, 37
505870	31
51782	43, 45
52864	37
56124	45
61199	39
62588	37
62853	33
685831	19
800461	17
800462	17, 19
800528	9
800548	9, 11, 13
800930	7
801001	13
801019	9, 11
801045	9, 11
801993	9, 11
802430	23
802431	23
Screw Label	
685928	25
Seal Kit	
RB170001	37, 39
Sealant	
27615P	23
Secondary Coil	
58804B	45
Security Cabinet Harness	
511324P	59

N/A items do not appear in index.

Security Cabinet Harness Assembly	
511323	59
511752P	59
511767	59
Sensor	
510213	45
Shaft	
56461P	35, 39
Shipping Bracket	
685911	53
Shipping Bracket Label	
686901	53
Shipping Cord and Brace Assembly	
800364P	53
Shipping Materials Kit	
728P3	53
Side Panel Kit	
800005QP	25
800005WP	25
Snap Bushing	
M402542	5, 27
Speed Clip	
28835	33
Standpipe Strap	
33489	23
Strain Relief	
32219	23
52151	49
60298	49
Strain Relief Adapter	
502496	49
Switch	
504570	33
Switch Mounting Bracket	
800663	17

T

Temperature Switch	
35117	7
687542	7
Tension Rod Assembly	
800666	19
Terminal Block Assembly	
510190P	39
Terminal Block Shield	
510237	39
Terminal Extractor Tool	
283P4	51
Thermal Fuse Assembly	
511412	41
Thermistor	
803256	17
Thermostat	
504515	35
510707P	35
511957	35
Timer	
502964P	7
505794P	7
505795P	7
505796P	7

Timer and Harness Kit	
505797P	7
Timer Knob Assembly	
512117Q	7
512117W	7
Top Hinge	
510136	47
Top Kit	
510032QP	47
510032WP	47
Torx Bit	
282P4	55
Transformer	
210018P	5
210019P	5
Trunnion Shaft and Hardware Kit	
800749P	19
Tub Front Assembly	
800430	17
801363	17
Tub Front Seal	
800432P	17, 19
Tub Shock Absorber Kit	
800622P	17
Tubing	
800648P	17
Tub-to-Pump Hose	
800317	23

U

Upper Harness Assembly	
511322P	59
511325P	59

V

Valve Kit	
685766P	13
801836P	13
Valve-to-Dispenser Inlet Hose	
801464	13, 15
Venting Instruction Label	
502791	57

W

Warning Label	
500049	57
500314	17, 53, 57
512263	33
800632	53
Warning/Caution Label	
500281	33
Washer	
M400014	53
M400080	21
M400081	17
M403958	19
02834	21
20290	15

N/A items do not appear in index.

26509	47
504082	39
52549	21, 35, 39
800457	17, 19
800464	19
800465	23
802254	15
803615	15
Water Hose	
F200116	15
Window Trim	
503981Q	31
503981W	31
Wire Assembly	
510527	41
510528	41
Wire Clamp	
800811	17
Wire Clamp Ring	
800438	9, 11
Wire Clip	
504034	29
687500	13, 29
Wire Harness Assembly	
511303	59
511750P	59
511781	59
Wire Tie	
38663	29
Wire, 12 Gauge	
45380	59
Wire, 18 Gauge	
45001	59
Wrench	
392P4	55
